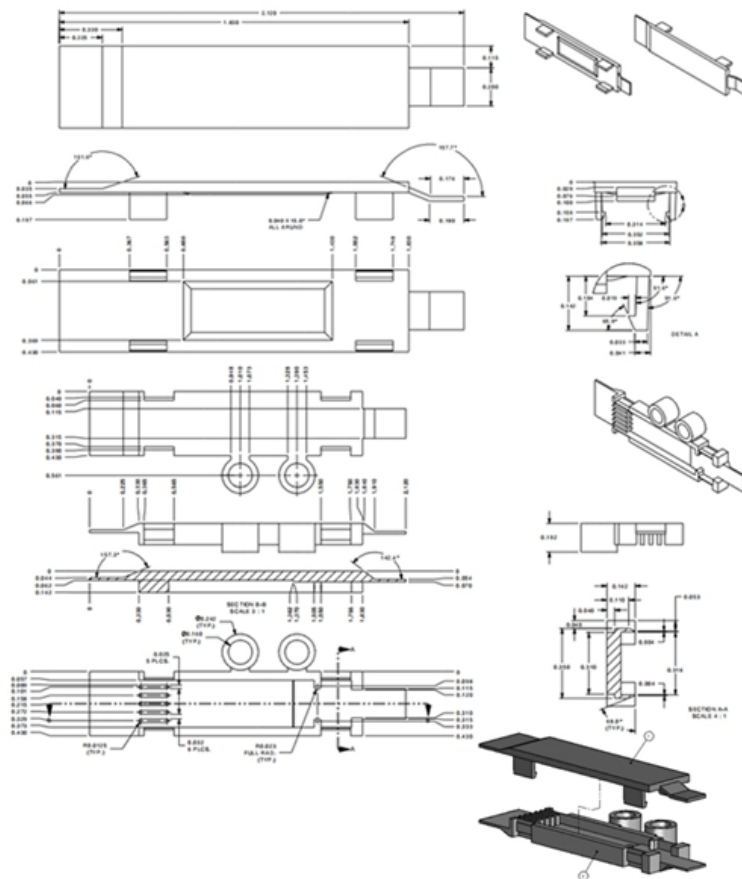


Are the fiber optic patch cord connectors heat-fused





Are the fiber optic patch cord connectors heat-fused

Fiber Optic Patch Cables Tutorial

Fiber optic patch cable, often called fiber optic patch cord or fiber jumper cable, is a fiber optic cable terminated with fiber optic connectors on both ends. It has two

A Beginner's Guide to Fiber Patch Cables

In addition, fiber patch cables are terminated with connectors on both ends of the fiber optic cable. Connector types vary based on network equipment

A Comprehensive Guide to Optical Patch Cords



FTTx Networks: Fiber patch cords enable last-mile connections to homes and businesses in fiber-to-the-x installations. Conclusion Optical patch

Essential Insights on Fiber Patch Cord Selection

A fiber patch cable is equipped with fiber optic connectors at both ends, serving as the conduit for plugging into various devices. Selecting the

Fiber optic patch cord manufacturer, fiber optic

Fiber optic patch cord technical specifications Fiber materials: Fused silica, hard polymer clad silica, polymer clad silica, ZBLAN & indium fluoride and plastic



A Breakdown of Fiber Optic Patch Connectors and Their

You have to terminate it somehow (connector, patch panel, etc.) in order to get from A to B and be mindful of the rather strict length limitations.

Understanding Fiber Patch Cord Types

A fiber optic patch cord --also known as a fiber jumper--is a fiber cable terminated with connectors on both ends. These connectors allow quick connection between optical equipment such as switches,

Fiber Optic Patch Cords: Specifications , RLH Industries,



Specialty and custom patch cords are also available with different connectors at each end, or connectorless when used to terminate bulk fiber cables via mechanical or

Fiber Optic Patch Cords Guide , Types, Connectors

Explore fiber optic patch cords for telecom, data centers, and FTTH. From LC/SC to MPO/MTP and armored jumpers, ZION Communication offers

Ultimate Guide to Fiber-Optic Patch Cables: Types, Selection, and

Fiber optic patch cords are available in single-mode and multi-mode types, featuring connectors such as LC, SC, ST, or MTP. They can also vary by polish type, such as UPC or APC,



Fiber Optic Cable vs Patch Cord vs Pigtail - Complete

When you build or upgrade a fiber network, the same four words pop up everywhere-- fiber optic (bare fiber), pigtail, patch cord, optical cable. They're

Fiber Optic Patch Cables: The Complete 2026 Buyer's Guide

Confused by LC, SC, MPO, UPC, and APC? This complete fiber optic patch cable guide covers connector types, single-mode vs multimode, insertion loss specs, and how to choose the right

Fiber Patch Cables Explained 2025: Types, Connectors,



Introduction: why fiber patch cables matter? In a modern data center, every high-speed optical link depends on the right fiber patch cable. These short

11 Things You Need to Know About Fiber Patch Cable

A fiber optic patch cable, cord, or optical jumper has fiber optic connectors (LC, SC, MTRJ, ST, FC, MU, and more) at either end. These

Fiber Optic Cable Patch Cord Order Guide

When choosing fiber optic cable patch cords, consider the actual length needed, material reliability, transmission speed, and loss. Protect the



What are Fiber Patch Cables?

APC Fiber Patch Cable. It refers to a fiber patch cord with an APC connector. APC Connector is an abbreviation for Angle Polished Connector. Take note of the angled tip of the white ceramic. This

Fiber-optic patch cord

A fiber-optic patch cord is a fiber-optic cable capped at each end with connectors that allow it to be rapidly and conveniently connected to telecommunication equipment.

What is a Fiber Optic Patch Cord? - Types, Explained

A fiber optic patch cord is a cable that is terminated at both ends by connectors to connect to the respective communication optical port.



Fibre Optic Patch Cables

1. Introduction to Fibre Optic Patch Cables Fibre optic patch cables are an essential component of modern networking, providing high-speed, reliable, and low-latency

SOPTO

Fiber optic patch cords, also known as fiber optic patch cables or fiber jumpers, are indispensable components in modern optical networks. They act as the critical link for

Fiber Patch Cables Explained 2025: Types, Connectors,



Choosing the wrong type of patch cable can cause signal loss, downtime, or higher costs. This guide explains what fiber patch cables are, their

Fiber Optic Patchcords

HOLMARC offers multimode step index fiber optic patch cables with SMA905 connectors on both ends and are ideal for applications requiring optimum

A Breakdown of Fiber Optic Patch Connectors and Their

Fiber optic cable has gone through quite the evolution of connectors, and none of these connector styles are compatible with each other. Some



Fiber Optic Patch Cords: A Complete Guide to Types,

Fiber optic patch cords come in various types to suit different applications, At CloudTop Cable, Whether you need single-mode or multimode, simplex or duplex,

Contact Us

For datasheets, pricing, or custom optical networking solutions, please visit:
<https://www.entrenamientointeligente.es>