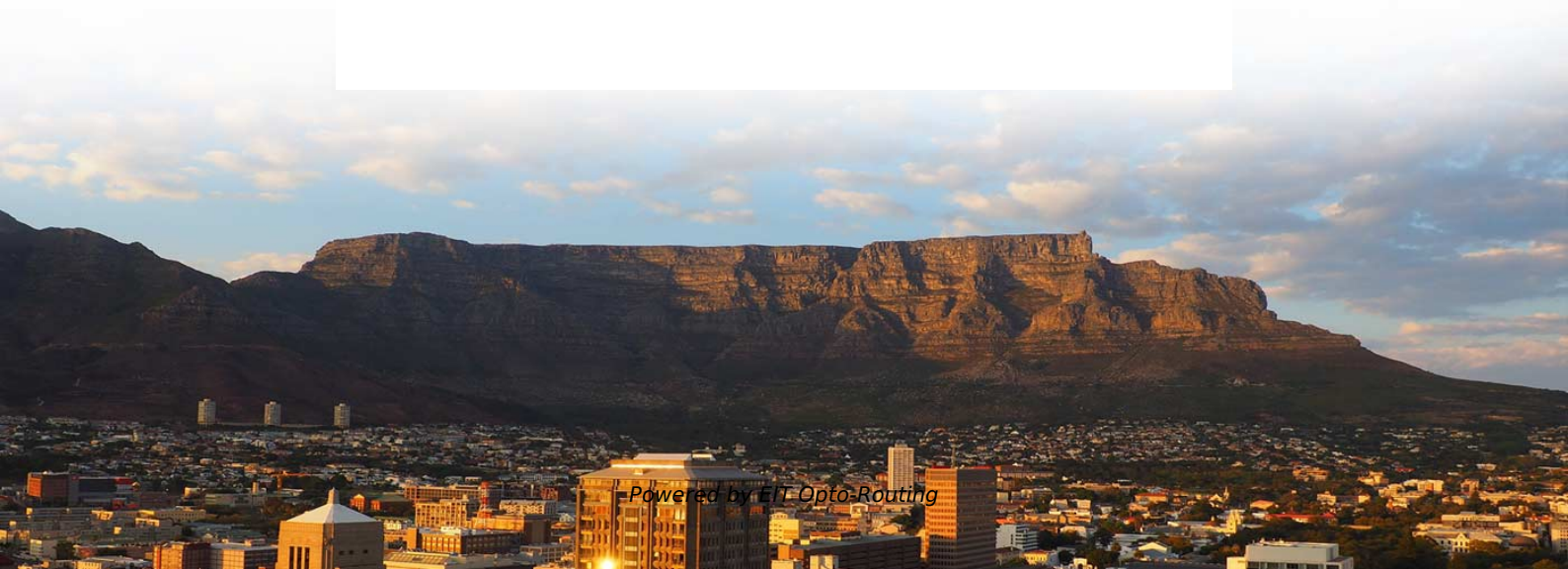
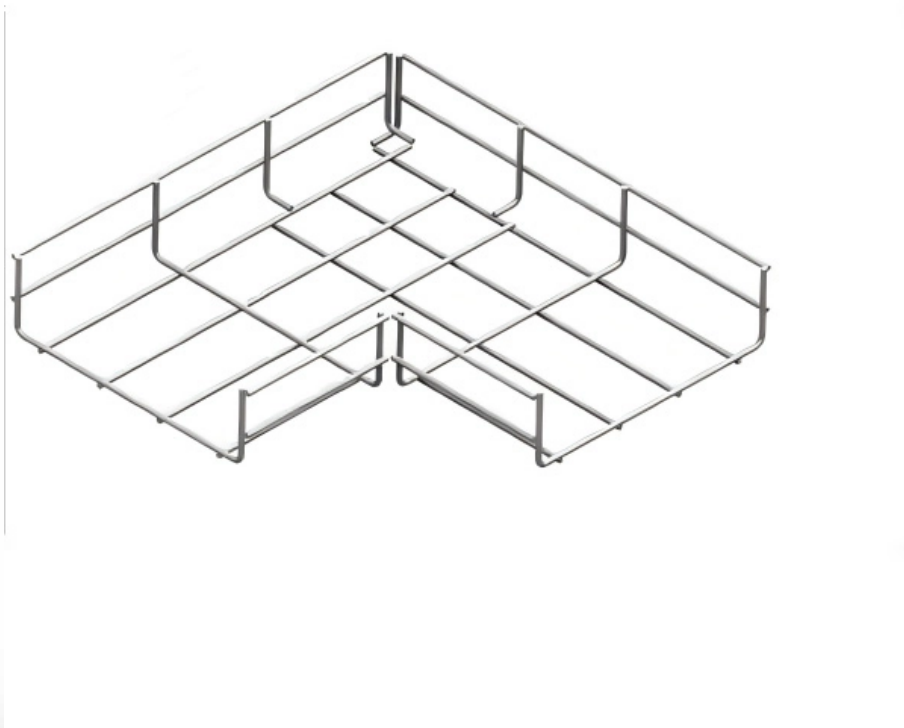


CIF Price of New Smart Energy Storage Cabinets Exported from Chile





CIF Price of New Smart Energy Storage Cabinets Exported from Chile

Chile Trade , WITS

Access Chile's trade profile. Data includes annual and monthly exports and imports, tariffs, foreign direct investment (FDI), global value chain (GVC) participation, and the Services Policy Restrictiveness

Chile Trade , WITS , Text

TRADE SUMMARY FOR Chile Overall Exports and Imports for Chile 2023 The total value of exports (FOB) is US\$ 94,936 million. The total value of imports (CIF) is US\$ 85,505 million. At the HS6 digit



Which countries are energy storage cabinets exported to?

As nations grapple with climate change and seek to transition their energy infrastructure, the export landscape for energy storage cabinets has

Chile Energy Storage Cabinet Factory, Energy Storage Enclosures

HLC Sheet Metal Factory - Chile Energy Storage Cabinet Sheet Metal Processing Manufacturers, Providing Energy Storage Cabinet Shell Processing, Energy Storage Cabinet Design, Energy

Global Energy Storage Market Records Biggest Jump Yet

The global energy storage market almost tripled in 2023, the largest year-on-year gain



on record, and that growth is expected to continue.

The 215 Energy Storage Cabinet Export Case: A Blueprint for Global

Why the 215 Energy Storage Cabinet Export Case Matters (and Why You Should Care) a single shipment of 215 energy storage cabinets traveling across oceans to power entire

Battery Energy Storage Systems (BESS) in Chile

With transmission lines at overcapacity and permitting delays slowing the development of new grid infrastructure, battery energy storage systems



THE PRICE OF ENERGY STORAGE SYSTEMS EXPORTED

Emerging markets are adopting residential storage for backup power and energy cost reduction, with typical payback periods of 4-7 years. Modern home installations now feature integrated systems with

Chile Energy Storage Tender: Why the World's Driest Desert is

Chile aims for 70% renewable energy by 2030 --storage is the missing puzzle piece. The 2023 tender awarded contracts for 777 GWh of storage--enough to power 1.5 million homes for

Chile: Approval of Significant Changes in Recognition and



A methodology has been introduced to evaluate and recognize the power capacity of stand-alone energy storage systems, and the availability of data and studies has been improved to

Smart Export Guarantee & Tariff , Solar Energy , EDF

The Smart Export Guarantee allows us to pay you for the solar energy you generate and export. Explore our range of SEG options today.

can energy storage cabinets be exported

The integrated energy storage battery cabinet, as a professional equipment, is an important component of the emerging energy storage technology in recent years.



China-Europe Energy Storage Cabinet Manufacturing: Powering the

Why Energy Storage Cabinets Are the New Gold Rush (and Why China & Europe Lead the Charge) Let's face it - the energy storage cabinet business is hotter than a lithium battery at full

Europe's Energy Storage Boom: How Exporters Can Tap into the

Let's cut to the chase: Europe's energy storage market is growing faster than a Tesla battery on supercharge. With 65GWh of cumulative installed capacity as of April 2024 and projections hitting

Chile

Due to limited hydrocarbon resources, Chile is heavily reliant on imports and is



vulnerable to fluctuations in international oil prices. As cited in the EIU Energy Reports, this had led

Chilean Battery Energy Storage Systems Stabilize Energy Supply, Pricing

Fitch Ratings-Sao Paulo/New York-01 April 2025: Project finance transactions in Chile are expected to increase due to the recent commissioning of large battery energy storage systems

Chilean Battery Energy Storage Systems Stabilize Energy Supply,

We expect price differentials in Chile to fall as BESS-installed capacity grows and new transmission comes online adding more uncertainty to long term arbitrage revenues.



The Price of Energy Storage Systems Exported Overseas: Trends

The price of energy storage systems exported overseas has become the industry's hottest potato - everyone's tossing it, but few know how to catch it without getting burned. Let's unpack

Chile moves on storage to 'decarbonize the night'

Chile has emerged as a world leader in hybrid systems and standalone energy storage since implementing its Renewable Energy Storage and Electromobility Act in 2022. Ensuring projects

Cost & Subsidies for Energy Storage Systems by Country: A 2026



This 2026 global guide explores energy storage system costs and government incentives across key markets. Average system prices range from \$7,500-\$13,000 for 10-20kWh installations,

Energy storage cabinet sales price inquiry table

The analysis was done for energy storage systems (ESSs) across various power levels and energy-to-power ratios. What are the different types of energy storage costs? The cost

Chile Trade Statistics , WITS

Chile had a total export of 94,935,525.01 in thousands of US\$ and total imports of 85,505,142.45 in thousands of US\$ leading to a positive trade balance of 9,430,382.56 in thousands of US\$ The



Chile

In 2015, the Ministry of Energy of Chile published National Energy Policy 2050, which includes a broad set of energy efficiency goals for 2035 and 2050. The policy

Chile Energy Storage

Chile will need new renewable energy storage systems to replace its current backup capacity of coal-fired plants and natural gas-powered combined cycle turbines and improve the reliability of the

Chile Energy Storage Project Tender Announcement: What You Need



If you're in the energy storage game, Chile's 2025 tender announcement is like spotting a rare bird in the Atacama Desert--exciting and packed with potential. With a \$33 billion global energy

New Energy Storage Charging Cabinet Price List: 2024 Cost Guide

GLASHAUS POWER - Wondering how much a modern energy storage charging cabinet costs? This comprehensive guide breaks down pricing factors, industry benchmarks, and emerging trends for

Lithium Battery Energy Storage Cabinets: An In-depth Guide to Sea

This article provides a detailed overview of the marine export process for lithium battery energy storage cabinets, covering aspects such as their components, booking, maritime filings,



Chile Energy Storage Industry Holds Promise , EMIS

As the world aims to reduce its dependence on fossil fuels and is becoming increasingly reliant on renewable energy sources, the battery energy storage system (BESS) has emerged as a

Contact Us

For datasheets, pricing, or custom optical networking solutions, please visit:
<https://www.entrenamientointeligente.es>