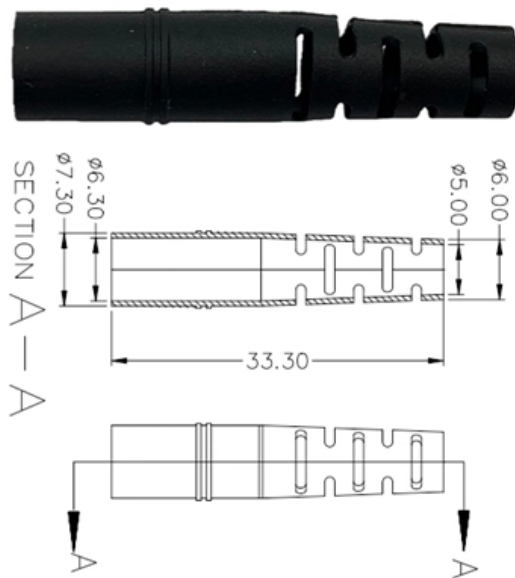


Cable tray distribution cabinet base





Cable tray distribution cabinet base

Cable Tray Technical Guide A practical guide to product selection and

Cable tray is considered to be a system. It must provide continuous support for cables, and the electrical continuity of the cable tray system must be maintained.

7 Types of Cable Trays: How to Choose the Right One

Cable tray systems are engineered support structures designed to route, support, and protect insulated electrical cables used for power distribution,



Armorduct Systems Ltd , Manufacturing Cable

Armorduct Systems are a UK manufacturer of steel cable management systems including cable trunking, tray, basket, floor boxes, power track & more. Wide

Cable Tray

With the RS 60 cable tray installation system, we offer you the last installation type of the standard support construction, so that you can implement all installations

Types of Cable Trays: Ladder, Perforated, Basket, Solid

Explore all types of cable trays--ladder, perforated, basket, solid, and channel. Learn their uses, materials, pros, cons, and key differences.



Wire Mesh and Cable Trays , Legrand Data Center

Explore our versatile and customizable offerings, designed to ensure organized and reliable cable routing, minimizing the risk of downtime and optimizing performance.

Best practice guide to cable ladder and cable tray

Cable ladder and cable tray systems The following recommendations are intended to be a practical guide to ensure the safe and proper installation of

Buy Cable Management Trays & Wire Baskets , Fast Delivery



We offer cable trays that are perfect for a variety of applications. Our products are made of high quality materials and come with free delivery on orders over £100.

Global IT Products & Network Solutions Provider , Black Box

Black Box provides cutting-edge IT solutions and technology products to businesses worldwide, ensuring innovative and reliable services for global digital transformation.

Distribution board

A distribution board (also known as panelboard, circuit breaker panel, breaker panel, circuit breaker, electric panel, fuse box or DB box) is a component of an electricity supply system that divides an



Guide to cable support systems

The mesh cable trays are suitable for the installation of power cables and cables in various areas of application. The grid spacings mean that cables can be inserted and run out in various directions.

Eurostrut Cable Trays , cable tray, cable route and

Cable trays for industrial and marine use. Includes distribution trays, cable routes and NATO-type models. Request a quote directly via our webshop.

Types of Cable Trays - Advantages, Applications and Sizes



Explore the types of cable trays, their advantages, applications, and standard sizes. Learn how they improve cable management and support various industries.

Mastering Cable Tray Installation , Step-by-Step Guide for a Seamless

Learn how to install cable trays correctly. Get the ultimate step-by-step guide on setting up a seamless and reliable cable management system.

What are Cable Trays & Different Types of Cable Trays

Learn what cable trays are & explore the various types, benefits, and purposes. Gain insights into how electrical cable trays can revolutionize your



Cable Tray Systems - CableOrganizer

Cable tray systems are the perfect solution for running large quantities of power or data cables overhead or under-floor. Also known as baskets, trunking, or cable

WyrGrid Overhead Cable Tray Routing System

Panduit offers industry-leading Cable Routing Systems as part of comprehensive, integrated Data Center Solutions to effectively manage and protect high-performance communication, computing,

Wire Basket Cable Tray Routing System

It provides speed of deployment, structural integrity, cable protection and ease of use to drive business results. The wire basket is up to 20 percent lighter than



What Are Cable Trays and How Do They Work?

Essential Roles in Infrastructure Cable trays are deployed in large-scale settings where a high volume of cables must be managed efficiently over long distances. They are common in industrial environments

Cable Tray Types and Sizes

The perforated base not only improves airflow but also offers better support and protection for the cables compared to open-style trays. This makes it a suitable

Cable Trays , Cable Management Trays



Are you looking for high-quality Cable Trays for improved cable management and organisation? Look no further than our extensive range, featuring top brands such as our very own RS PRO, Cablofil

Cable Tray and Reels , Wire and Cable Management

Fast installation with dependable support. Everything you need to build a cable management system, including Cablofil wire mesh cable tray, ladder cable tray,

What Is A Cable Tray? 5 Types Of Cable Trays

A cable tray is a structural system used to support and manage electrical cables in various settings, such as industrial, commercial, and residential environments.



Cable Tray Systems: Requirements and Best Practices

Comprehensive guide to cable tray systems requirements: tray types, materials, loading, supports, bonding, routing, and best practices for safe electrical cable management.

Contact Us

For datasheets, pricing, or custom optical networking solutions, please visit:
<https://www.entrenamientointeligente.es>