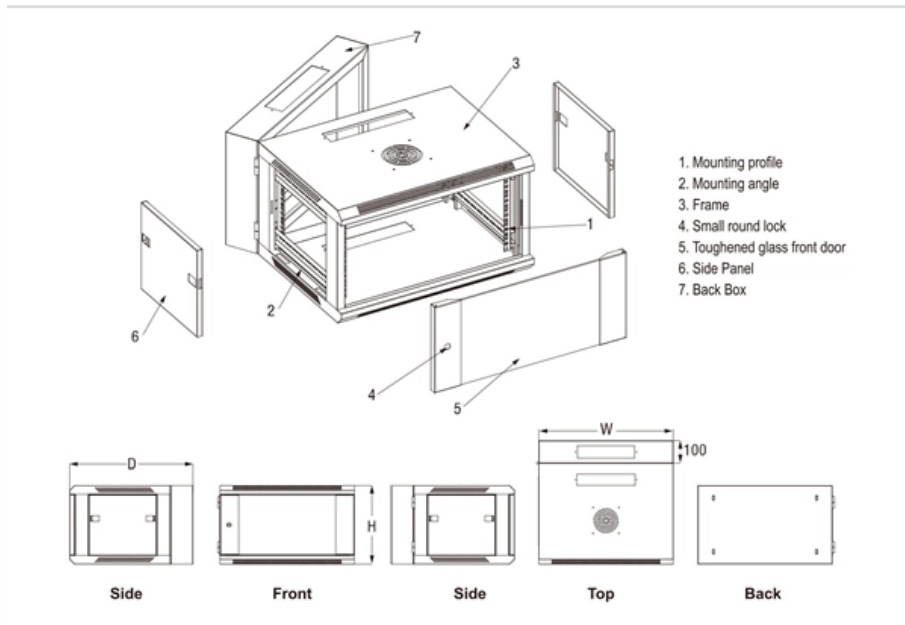


Cameroon Outdoor Server Rack Flame Retardant





Cameroon Outdoor Server Rack Flame Retardant

9U Outdoor Enclosure , 9U IP55 Outdoor Enclosure , 9U

9U IP55 Weatherproof Wall Mount Outdoor Server Rack Enclosure Model : RODWV9U18GRY AZE's 9U IP55 Outdoor server rack enclosure are designed to

fire protection for server rack and fireproof server safe

Secure fire protection from the outside with our server rack as a separate fire compartment and fire protection from the inside with our 19" extinguishing system



Waterproof Outdoor Server Racks , Outdoor Network Cabinets , AZE

AZE's 19" outdoor server racks and outdoor network cabinets are ideal for protecting sensitive network systems from any damage due to impacts and harsh climatic conditions.

Weatherproof 7U Outdoor Network Enclosure

The 7U Outdoor Network Cabinet is a high performance solution for protecting critical network equipment in harsh outdoor environments.

Telecom and Network Equipment Cabinets and Racks

Our cabinets can be fitted with or without climate control and are engineered for



efficiency, offering precise temperature regulation to prevent overheating.

Outdoor IT Rack Enclosures , Eaton

Designed to protect expensive outdoor IT and control equipment, especially security, fire, law enforcement and other first-responder applications.

IP55 Outdoor Server Cabinet Enclosure with Ventilated,16U,750mm

Being designed to accommodate the weather protection of your choice, the outdoor server rack enclosures are available in NEMA 3R, 4, or 4X configurations. AZE designs and manufactures 12U



Fire protection for server and control cabinets

With this holistic fire protection solution, we initiate the immediate and earliest possible fire detection directly at the server racks with extinguishing technology that is optimally adapted to switch and

Server Rack Fire Suppression Units

Server Rack Fire Suppression Units Rack mount fire protection solutions are designed for installation into server racks and server cabinets to provide fast and effective fire detection and suppression and

Fireproof Server Cabinet: Secure Your Data Now

Looking for a fireproof server cabinet? Discover top-rated, 120-minute fire-resistant cabinets with smoke seals and smart monitoring. Click to explore secure solutions today.



Server Rack Cabinets , WEATHERPROOF NETWORK CABINETS

Looking for server rack cabinets? Find and shop durable enclosures, racks, and accessories to keep your equipment secure and organized. Welcome to Sturdx!

Outdoor Server Rack Cabinets , Server Room Environments

Outdoor Server Cabinets and Enclosures Discover our range of outdoor cabinets weatherproofed for ultimate protection. Our outdoor data cabinets and outdoor server rack cabinets are perfect for

24U Waterproof Stainless Steel Outdoor Server



Cabinet w/Cooling

AZE designs and manufactures a wide range of IP55 rated freestanding outdoor server rack or data cabinets, from 18U to 42U, with fans cooling, metal steel, aluminum or stainless steel are

Outdoor Weatherproof Cabinets for Electronics , Waterproof Server

Designed for outdoor server installations, these racks are built to withstand rain, snow, and extreme temperatures. Features rugged construction and lockable doors for added security.

Waterproof Outdoor Server Racks , Outdoor Network Cabinets , AZE

AZE's 19" outdoor server racks and outdoor network cabinets are ideal for protecting



sensitive network systems from any damage due to impacts and harsh climatic conditions. These are manufactured

Outdoor Network Server Rack with Cooling Solutions

Nemaco offers 19 inch server rack cabinet solutions. 19 inch server rack cabinets are used for housing computer network systems to control electrical power distribution, factory controls automation and

Outdoor server rack

A outdoor server rack is a specialized enclosure designed to house servers and networking equipment in environments exposed to challenging weather conditions. These racks are



24U Outdoor Server Rack Cabinet

24U Outdoor Server Rack Cabinet by IPCOM Floor standing telecommunication cabinets are designed to install and ensure trouble-free operation of

Server Rack Fire Protection: What You Need to Do Now

For server rack protection against fire, the first line of defense is the enclosure. Fire resistant server cabinets are specially designed to withstand

IP66 Rated Weatherproof Outdoor Network Cabinets

Discover IP rated (NEMA) outdoor network cabinets designed for superior protection and durability for your network infrastructure in harsh environments.



Industrial HVAC Telecom Enclosures , NEMA-Rated

Premium HVAC outdoor telecom enclosures with NEMA 4/4X ratings for extreme environments. Our temperature-controlled electrical cabinets feature

Flame-Retardant ABS Improves Rack Safety and

When manufactured to meet UL94 V-0, ABS becomes flame-retardant, meaning it self-extinguishes within 10 seconds and produces no flaming drips when tested

Freestanding Outdoor Cabinets & Freestanding Outdoor Server Racks



4cabling has various sizes of outdoor freestanding server racks & data cabinets. Suitable for protecting your expensive and sensitive network equipment. Purchase online now and save from retail. Fast

Unleash Superior Network Performance With Our

Optimize your network space with our 24U Outdoor Server Rack. Featuring advanced ventilation, dust filters, and a robust 3-point access control.

A 19 inch outdoor cabinet for your network!

An outdoor server rack or patch cabinet is a 19-inch cabinet that has four 19-inch mounting profiles. In these profiles, you directly attach 19-inch network



NavePoint 4U Server Rack, Vertical/Horizontal Wall able Rack with

Shop NavePoint 4U Server Rack, Vertical/Horizontal Wall able Rack with Vented Enclosure for 19" IT Equipment, Cable Modems, Telecom, A/V online at best prices at desertcart - the best international

IP55 Floor Standing Outdoor Server Cabinet from CPS

The Aries IP55 Outdoor Server Cabinet is built to withstand extreme weather conditions, thanks to its robust IP55 rating. Whether facing heavy rain, dust, or

FIRE RESISTANT OUTDOOR BATTERY CABINET TELECOM



Our certified specialists provide support for outdoor communication cabinets, power equipment enclosures, and battery storage cabinets across Africa. Call +27 11 568 9402

Contact Us

For datasheets, pricing, or custom optical networking solutions, please visit:
<https://www.entrenamientointeligente.es>