

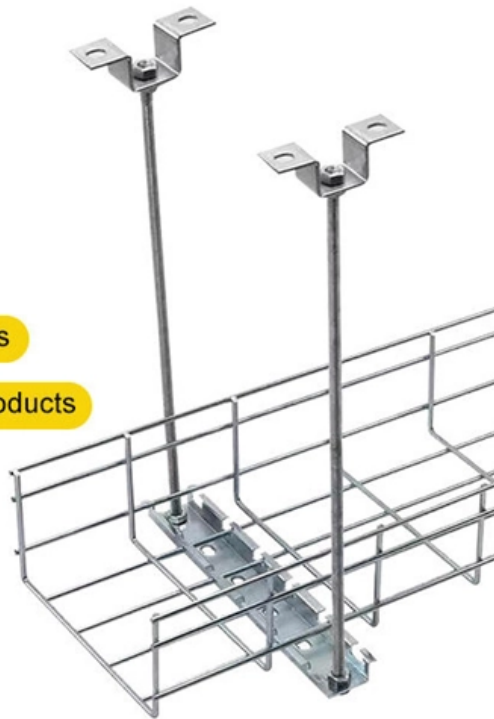
Door-to-door delivery of fiber optic spectroscopy analyzers with anti-marking technology

STAINLESS STEEL WIRE MESH

Long-lasting and durable

Comprehensive specifications

Customized non-standard products





Door-to-door delivery of fiber optic spectroscopy analyzers with ant

In-line Fiber-Optic Spectroscopy for Process Monitoring

Art Fiber Systems (AFS) helps chemical and industrial companies identify the optimal spectroscopic method for their process monitoring - from UV-Vis to mid-IR - and

Distributed Fiber Optic Sensor Market , Industry Report,

Distributed Fiber Optic Sensor Market Summary The global distributed fiber optic sensor market size was valued at USD 1.64 billion in 2025 and is projected to



Luna Innovations , Fiber Optic Sensing and

Luna fiber optic sensing and measurement systems help design, build and maintain products and processes for aerospace, energy, and more. Explore solutions now.

FIS optical Spectrum analyzer

These Optical Channel Analyzers have a super fast acquisition time of two seconds per scan, and Pass/Fail feature with an easy to read color display. The OSX series will store up to 1000 tests and is

Fiber Optic Laser Delivery Systems , Suppliers

Explore 25 top manufacturers and suppliers of Fiber Optic Laser Delivery Systems in our comprehensive photonics buyers' guide.



Fiber Optics Market Size Report 2024-2029 [234 Pages]

The global Fiber Optics Market in terms of revenue is estimated to be worth \$3.2 billion in 2024 and is poised to reach \$6.8 billion by 2029, growing at a CAGR of

Distributed Fiber Optic Sensing (DFOS)

Distributed Optical Fiber Sensing (DFOS) transforms standard fiber optic cables into powerful sensors capable of detecting temperature, strain, and acoustic signals at

The keys to deploying fiber networks faster and cheaper



The nerve center established by one operator detected a delay in the delivery of specialized fiber-optic cables from a key supplier. Procurement

Fiber Optic Spectrum Analyzers OSA

Fiber Optic Spectrum Analyzers OSA Grating-based instruments for the spectral testing of optical sources, amplifiers, transceivers, and passive optical components.

OPTICAL FIBER PROBES FOR PROCESS SPECTROSCOPY

Our fiber probe couplers provides high coupling efficiency for ATR-Absorption, Transmission or Reflection process-spectroscopy in a broad spectral range, from UV to Mid-Infrared - to use fiber



Compare Process Fiber Optic Cables , GUIDED WAVE

Easily Compare Process Fiber vs. Traditional Process Fiber Optic Cables Often when installing a complete analysis system; spectrometer, fiber optic cables, and

Anritsu MS9710C for Sale, Optical Spectrum Analyzers (OSA), Fiber Optic

Anritsu MS9710C 600 nm to 1750 nm Optical Spectrum Analyzer and other Optical Spectrum Analyzers (OSA) for sale at Test Equipment Center. Anritsu MS9710C products for sale at

Fiber Optic Spectrometers , Suppliers , Photonics Buyers' Guide



Manufacture, delivery, and support of field portable spectroradiometers for remote sensing. Special systems designed and manufactured. Full in-house calibration available using NIST traceable

Fiber Optic Lab Equipment

Fiber Optic Spectrum Analyzers OSA Grating-based instruments for the spectral testing of optical sources, amplifiers, transceivers, and passive optical components.

FT-IR/NIR for Process Control , Bruker

High-performance spectrometers for online process monitoring and optimization. FT-IR, FT-NIR, and Raman spectrometers all powerful solutions for process



Fiber Optic Spectrometer

We manufacture Fiber Optic Spectrometers offering precise spectral analysis with adjustable wavelength, multiple gratings, and consistent, noise-free performance.

Near-Infrared Spectroscopy: Remote Fiber Optic Based

Explore the applications of Near-Infrared Spectroscopy. Discover how NIR technology and fiber optic probes enhance process control.

FT-NIR process analyzer

ABB's FTPA2000-260 is a multi-point, FT-NIR analyzer designed for remote, real-time monitoring of continuous and batch processes. Profitability, quality and



Fiber Channel protocol analyzers - more than 20 models

Fiber Channel testers (protocol analyzers) Fiber Channel (FC) (eng. fiber channel: fiber channel) - a family of protocols for high-speed data transmission. The protocols are standardized by Technical

Optical Spectrum Analyzers

Optical spectrum analyzers (OSA) play a crucial role in both the installation and operation of wavelength division multiplexing (WDM) fiber optic networks. In this

UV-Vis Fiber Optic Probes, Cary Fiber Optics , Agilent



Fiber optic accessories transform benchtop UV-Vis and fluorescence spectrophotometers into versatile remote measurement systems, unlocking many experiments that standard UV-Vis &

Measurement and Testing Equipment

Fiber Optic Spectrum Analyzers OSA Grating-based instruments for the spectral testing of optical sources, amplifiers, transceivers, and passive optical components.

Fiber Optics Market Size & Share , Industry Report, 2033

Fiber Optics Market Summary The global fiber optics market size was estimated at USD 10.76 billion in 2025 and is projected to reach USD 17.95 billion by 2033,



Fiber Optic Testing Equipment

Large inventory of fiber optic laser light sources, high precision power meters, visual fault locators, OTDR launch boxes, connector inspection microscopes and more.

Measurement and Testing Equipment

From optical spectrum analyzers and O/E converters to variable optical attenuators and 4-channel pulse pattern generators, these platform-independent measuring

Ando AQ6315E for Sale, Optical Spectrum Analyzers (OSA), Fiber Optic

Ando AQ6315E 350 nm to 1750 nm Optical Spectrum Analyzer and other Optical



Spectrum Analyzers (OSA) for sale at Test Equipment Center. Ando AQ6315E products for sale at

Antaris MX FT-NIR Process Analyzer

The Antaris MX process fiber optic system provides remote sampling for raw material identification and characterization, quality measurements, and sample component analysis.

Contact Us

For datasheets, pricing, or custom optical networking solutions, please visit:
<https://www.entrenamientointeligente.es>