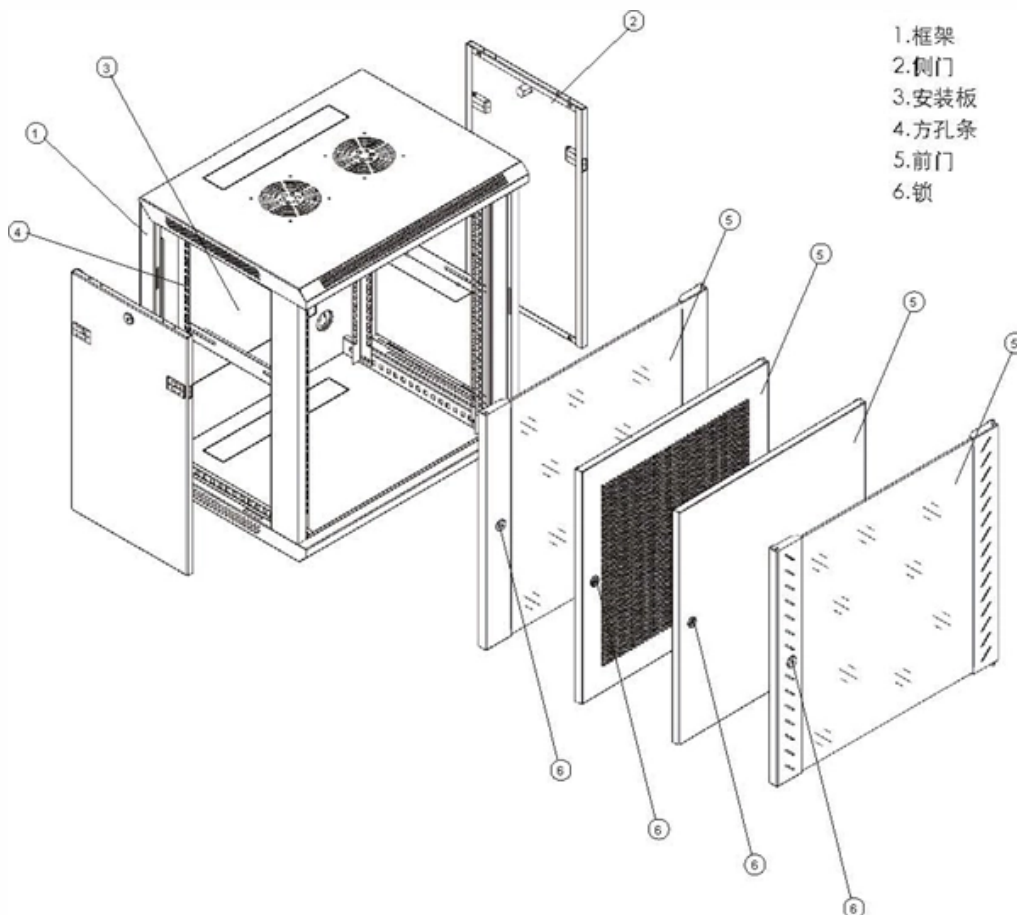


# Dual-film optical cable splicing mode diagram





## Dual-film optical cable splicing mode diagram

---

## Experiment No. 16 Splicing of optical fibers

---

Experiment No. 16 Splicing of optical fibers Aim: The aim of this experiment is giving the skills for splice the glass optical fibers.

## Fiber Optic Cable Splicing: A Comprehensive Guide

---

To support integrators, here's an easy to follow guide for fiber optic cable splicing discussing mechanical splicing and fusion splicing.

## Fiber Optic Splicing Guide

---



Fusion Splicing vs Mechanical Splicing There are two types of optic fiber splicing. One is fusion splicing we mentioned above, another is mechanical splicing (shown in the figure below). In

## **Fibre Optic Cable Splicing Guide: Techniques and Equipment**

---

Whether you're performing fusion splicing or mechanical splicing, having the right techniques and equipment at your disposal is crucial for achieving seamless and durable

## **Mastering Fibre Optic Splicing: A Practical Guide for Beginners and Pr**

---

Fibre optic splicing is an essential skill in the telecommunications industry, offering engineers a means to join two optical fibres, ensuring seamless data transmission. As technology



## Splicing of optical fiber , PDF

---

This document discusses optical fiber splicing. It describes three main splicing methods - de-matable connectors, mechanical splices, and fusion splices.

## FIBER OPTIC CONNECTOR SPLICING MODULE

---

Homework Assignment #1: nnectors or splices on fiber cables. Compare the items in these tool kits to those contained in this module a Photo 1. Installed fiber optic cables appear similar to copper

## Fiber Optic Cable Splice: The Most Complete Guide

---



Fiber optic cable splicing stands as the foundational skill enabling this vision, expertly uniting fiber strands to maintain flawless signal transmission. Essential for mending faults or scaling networks,

## **Fiber Optic Splicing: A Complete Guide , Jonard Tools**

---

This guide will walk you through the complete process of fiber optic splicing--covering each step in detail so you can deliver a clean, professional

## **A Complete Guide for Fiber Optic Splicing**

---

Fiber splicing is to connect two optical cables together. Another more common method of joining fibers is called termination or joining.



## **Mastering the Art of Splicing Fiber Optic Cables: Expert**

---

Master the essential skill of splicing fiber optic cables with our expert guide. Learn the fusion splice technique for seamless data transmission and

## **Fiber Splicing , Basics, Types & Importance , Fusion & Mechanical**

---

Chapter-12 Optical Measurements: o Optical Measurement OTDR, Dispersion Measurement, Eye Diagram. Engineering Funda channel is all about Engineering and Technology.

## **Fiber Optic Splicing**

---



This chapter looks at the correct methods of preparing, cleaving, splicing, and protecting optical fibers using a cross-section of splicing equipment and techniques.

## Multimode Splice Loss

---

The primary contributors to measured splice loss are fiber material and design factors that prevent an optimal coupling of the light pulses from one fiber end to another.

## Understanding Fiber Optic Splicing: Techniques and

---

Master fiber optic splicing with expert techniques. Visit [ascentoptics](https://www.ascentoptics.com) for tools and guidance to boost your expertise today!



## **Understanding Fiber Optic Splicing: Techniques and**

---

This article covers two of the basic methods of splicing fiber optic cables- fusion and mechanical - and discusses the tailor-made tools that make

## **Fiber Optic Splicing Types, Methods, and Applications**

---

Fiber optic splicing is essential for building and maintaining reliable, high-speed communication networks. By understanding its types, methods, and real-world

## **What is the Splicing of Optical Fibers & Their Techniques**

---

To overcome the disadvantages of optical fiber connectors, the splicing of optical fibers is used to maintain permanent connections between the two optical fiber



## The FOA Reference For Fiber Optics

---

Fusion splicing may be done one fiber at a time or a complete fiber ribbon from ribbon cable at one time. First we'll look at single fiber splicing and then ribbon

## Fiber Optic Splicing Techniques Guide

---

The document outlines the methodology for fiber optic splicing, detailing both fusion and mechanical splicing techniques. Key steps include preparation of the fibers,

## Fiber Optic Cable Splicing Methods: A Practical Guide

---



While this guide provides a solid overview of fiber optic cable splicing, the successful execution of these methods requires extensive training, hands-on experience, and a significant

## **The FOA Reference For Fiber Optics**

---

The most common application for splicing is concatenating (joining) cables in long outside plant cable runs where the length of the run requires more than one cable.

## **What Is Fiber Optic Cable Splicing? A Beginner's Guide**

---

Explore fiber optic cable splicing and its advantages over connectorization. Learn how to join and extend fiber optic cables effectively.



## Fiber Cable Mechanical Splicing Guide Using Fiber

---

Learn how to perform mechanical fiber cable splicing inside fiber enclosures using fiber splice trays. This step-by-step guide covers fiber

## The Complete Step-by-Step Guide to Fiber Optic Splicing

---

In this guide, we cover the basics of fiber optic splicing, how to perform splicing using two different methods, and finally some best practices to perform good fiber splicing.

## User Manual

---

Chapter 5 Splicing Mode There are various fusion options modes inbuilt this fusion splicer. Splicing Options define current, time, and other important parameters. It is necessary to choose the proper



## Fiber Optic Splicing Guide

---

Fusion splicing involves the use of localized heat to melt together or fuse the ends of two optical fibers. The preparation process involves removing the protective coating from each fiber,

## How to Splice 3 Types of Mini ODF , Fiber Optic Splicing , Single Mode

---

Learn how to splice three types of Mini ODFs (Optical Distribution Frames) for single-mode fiber optics in this step-by-step guide! Whether you're a beginner or a pro, this tutorial covers



# Fibre Splicing Explained: A Complete Guide to

---

Fibre Splicing Explained: A Guide to Seamless Optical Connectivity What is Fibre Splicing? Fibre splicing refers to the process of joining two optical

## Contact Us

---

For datasheets, pricing, or custom optical networking solutions, please visit:  
<https://www.entrenamientointeligente.es>