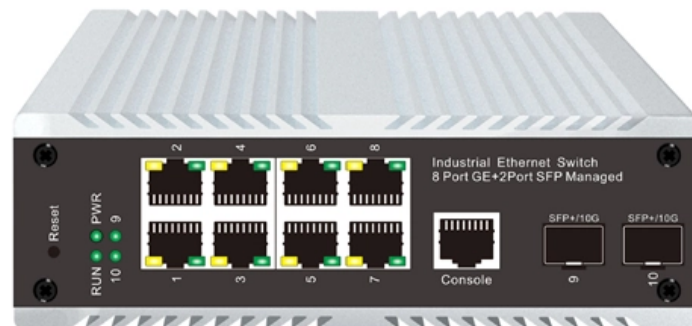


# Fiber Optic Coupler for Laparoscopic Lens





## Fiber Optic Coupler for Laparoscopic Lens

---

### openUC2 Open Fiber Coupler

---

openUC2 Open Fiber Coupler This repository will help you to build and setup a fully functional XYZ fiber coupler for single- and multimode fibers for a tens of the price

### Laparoscopy Imaging System , True 4K NIR

---

Designed for laparoscopic procedures, this modular platform delivers detailed and accurate results through precise colour adjustments and advanced micro

### Fiber Coupling Optics

---



Spherical Ball Micro Lenses are commonly used for: laser collimating and focusing; laser-to-fiber coupling; fiber-to-fiber coupling; and fiber-to-detector coupling. Four diameters are available -- 1, 2,

## Endoscopic Camera Couplers

---

Types of Endoscopic Camera Couplers An endoscopic camera coupler is a precision connector that securely attaches a camera system to an endoscope, enabling real-time visualization during

## FiberPort Collimators / Couplers

---

FiberPort Collimators / Couplers Ultrastable Micropositioning Alignment with Five Degrees of Freedom Plus Rotation Adjustment Usable with Single Mode,



## Fiber collimators & fiber couplers , aspheric

---

As well as coupling and collimating your optical fiber, it also enables you to enlarge or reduce your input beam, creating perfect input conditions for all subsequent

### Fiber Coupler

---

FiberKey ® Fiber couplers are used to couple laser beams into an optical fiber. The optics in fiber couplers can be optimally positioned along the x-axis, y-axis, and z

## Chapter 2 Laparoscopic Imaging Systems

---

Laparoscopic Imaging Systems It is well known that laparoscopy is the consequence of advances made in the field of medical engineering. Each surgical specialty has different requirement of instruments.



## **GRIN Lens Fiber Couplers , Fiber Coupling Fixtures**

---

These couplers are available for bare, chuck-mounted fibers, including polarization preserving fibers, as well as connectorized optical fibers. Provides compact,

## **Frequently asked questions about Laparoscopy**

---

In Hopkins rod lens the light levels were increased by as much as eightyfold with no heat; resolution of fine detail of surgery is finally achieved; true colours were now

## **Fiber Couplers - optical fiber**

---



Within the resonator of a fiber laser, a dichroic fiber coupler can be used to inject pump light, and another fiber coupler can be used as the output coupler. This technique is used particularly in fiber

## **Myriad Fiber Imaging Tech., Inc.**

---

Myriad offers focusing optical couplers that act as a bridge between a scope and its camera. These couplers can be mounted with a c-mount eye cup, or other

## **The Laparoscope as a Surgical Instrument**

---

The 30o scope employs an angled lens, which results in an image that is narrower and less bright, but can be used to view around corners, and can allow more



## **F-925 Optical Fiber Coupler**

---

Optical Fiber Coupler, GRIN Lens, Bare Fibers The F-925 GRIN Lens Fiber Coupler provides a convenient means of aligning fibers with GRIN lenses to obtain efficient laser-fiber coupling and

## **Endoscope Coupler Adapter 4k Zoom Lens for**

---

ESC Medicams Endoscope Coupler Adapter for Endoscopy Camera and Rigid Endoscope with High Resolution waterproof optics and variable Zoom Focal Length

## **CO<sub>2</sub> Accessories**

---

The line of accessories includes micromanipulators, scanners, adapters, mounts, laparoscopic couplers CO<sub>2</sub> fibers, handpieces, and diode fibers and accessories.



## 2 Ball Lens Fiber Coupler Calculator

---

Identify a compatible pair of ball lenses for coupling light from one optical fiber into another using the numerical aperture of each fiber, the ball lens material, and the ball lens diameter.

### DTS0108

---

The following set of tables list the standard lenses available from OZ Optics. The tables are broken up into two main categories - Lenses for Pigtail Style Couplers and Lenses for Laser to Fiber Couplers

## Comparison of Different Lenses for Fiber Coupling

---



In this example, we select two commercially available lenses, with the same effective focal length, but different surface types. They are evaluated, for the task of coupling light into a single-mode fiber, in

## 2 Ball Lens Fiber Coupler Calculator

---

Ball Lens output NA must be

### Contact Us

---

For datasheets, pricing, or custom optical networking solutions, please visit:  
<https://www.entrenamientointeligente.es>