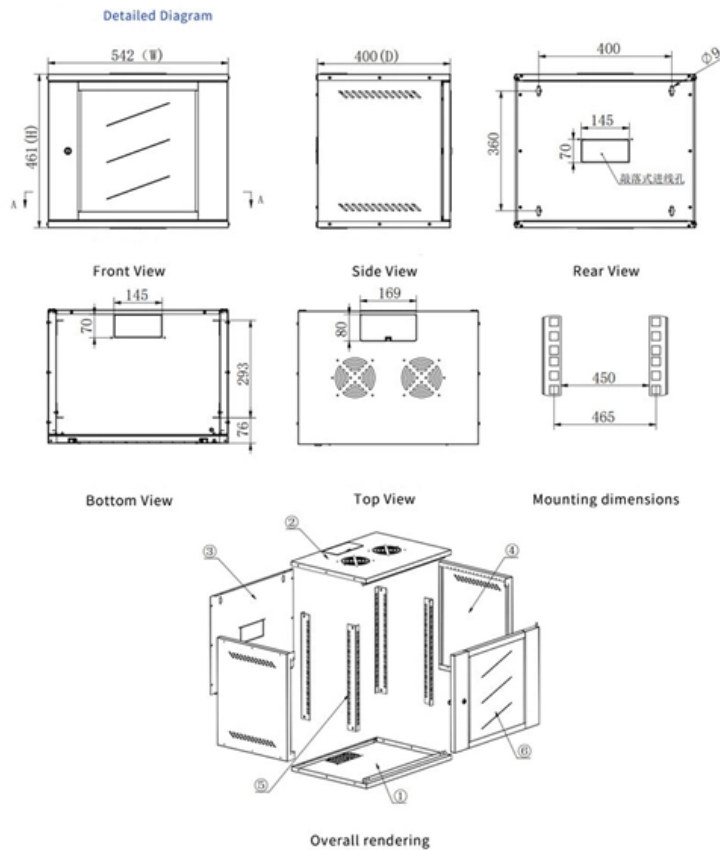


# Guyana Polyurethane Cable Tray Standards





## **Guyana Polyurethane Cable Tray Standards**

---

# **Cable Tray In Guyana, Cable Tray Manufacturers Suppliers Guyana**

---

As one of the best Cable Tray Manufacturers in Guyana, we are trusted by people not only within the boundaries but even beyond that. Our custom-based products are able to match up your distinct needs.

# **Cable Tray In Guyana, Cable Tray Manufacturers Suppliers Guyana**

---

Our highly educated expert closely monitors every aspect of manufacturing and keeps their fingers on the pulse to deliver the highest quality Cable Tray in Guyana. We are the ones who adhere strictly to



## **Cable Tray In Guyana, Cable Tray Manufacturers Suppliers Guyana**

---

Our Cable Tray is the perfect product for all sectors because it is available in various sizes, shapes, and colors. We have a manufacturing facility on-site with modern equipment and advanced technology for

### **16115 Cable Tray**

---

Install all open cable tray in an accessible location, visible from the floor, with minimum length hanger rods to avoid tray tilting under asymmetric loads. If tray tilts at any location, provide 1-1/2 inch pipe in

### **31 new electrical standards to be implemented by**

---



31 new electrical standards to be implemented by February 2020 The Guyana National Bureau of Standards (GNBS) collaborated with the Government

## **Cable Tray In Guyana, Cable Tray Manufacturers Suppliers Guyana**

---

Galvanized Cable Tray As part of our excellent Cable Tray Range, we are proud to offer super strong Galvanized Cable Trays. These specially tailored Galvanized Cable Trays are manufactured using

## **Cable Tray Technical Guide A practical guide to product selection and**

---

This guide for engineers and installers has been developed by ABB as a practical reference regarding cable tray characteristics, installation, and requirements.



## Electrical Cable Tray In Guyana

---

The state-of-the-art infrastructural facility includes robust manufacturing unit that is equipped with all modern machines and facilities to manufacture Electrical Cable Tray that comply with the ISO

## Cable Trays In Guyana

---

We ensure our cable trays adhere to stringent industry standards, guaranteeing safety and regulatory compliance. We don't just sell cable trays; we provide exceptional service and expertise.

## Cable Tray Specification Overview , PDF , Specification

---



This document provides a general specification for cable trays for an electrical project. It outlines technical requirements, codes and standards, site conditions,

## **Perforated Cable Tray In Guyana**

---

Being one of the leading Perforated Cable Tray Manufacturers in Guyana, we work for customer satisfaction and design and deliver the standard and customized range accordingly. We have a

## **New standards to be implemented for electrical items**

---

The Ministry of Public Infrastructure (MPI) yesterday launched an awareness programme for 31 new standards for electrical items coming into the



## Full cable tray systems specification document

---

B. Cable tray systems are defined to include, but are not limited to straight sections of [ladder type] [trough type] [solid bottom type] [channel type] cable trays, bends, tees, elbows, drop-outs, supports

## Cable Tray In Guyana

---

Cable House has earned loads of appreciation in the market as one of the reputed manufacturers of Cable Tray in Guyana. Since we are loaded with the right resources, we have been involved in

## Cable Tray In Guyana

---

Being one of the leading Cable Tray Manufacturers in Guyana, we use graded raw materials and all the latest technologies for manufacturing purpose. Our experienced



team also pays attention to their

## **GNBS approves 31 Compulsory National Electrical**

---

DPI, Guyana, Wednesday, October 2, 2019 The Guyana National Bureau of Standards (GNBS) recently approved 31 Compulsory National

## **Cable Tray Manufacturers in Guyana, Hose Clamps, Crimping Tools**

---

With our manufacturing expertise, we have even gained recognition as one of the reputed Cable Tray Manufacturers in Guyana. Supported by skilled professionals, we are capable of manufacture



## **31 new standards for electrical products to be implemented**

---

With a lot of complaints about faulty electrical products, the government will be implementing 31 new national compulsory standards. This initiative will

## **Advantages and Disadvantages of Polyurethane Cable**

---

Discover the advantages & disadvantages of polyurethane cable trays. Learn about their durability, chemical resistance, cost, & ideal applications.

## **Perforated Cable Tray In Guyana**

---

Our Cable Trays in Guyana are designed for quick and easy installation, saving you time and labor costs. They promote proper cable organization, reducing the risk of tripping hazards and electrical



## Electrical Cable Tray In Guyana

---

Being one of the leading Electrical Cable Tray Manufacturers in Guyana, we work for customer satisfaction and design and deliver the standard and customized range accordingly. We have a

## Cable Tray Manufacturers In Guyana, Electrical Cable Tray Suppliers

---

Keep your cables safe and organized with our high-quality cable trays. Cable Trays are important for ensuring the protection of the wiring system and supporting insulated electric cables used for



## Mild Steel Cable Tray In Guyana

---

Being one of the leading Mild Steel Cable Tray Manufacturers in Guyana, we work for customer satisfaction and design and deliver the standard and customized range accordingly. We have a

## Cable Tray Manufacturers in Guyana, Hose Clamps, Crimping Tools

---

Started back in 1983, Cable House is a recognized name engaged in manufacturing and supplying wide range including Hose Clamps, Cable Ties, Crimping Tools, Cable Tray, Industrial Connectors and

## Polyurethane Cable Trays: The All-Round Solution for

---

In cable management systems, the choice of tray directly impacts long-term safety and



maintenance costs. Traditional metal trays often struggle with

## The GNBS enforces

---

The GNBS enforces the National Electrical Standard, GYS 532 (UL 44) which specifies the requirements for 600V single-conductor, thermoplastic-insulated wires and cables, for use as

## ELECTRICITY SECTOR (TECHNICAL STANDARDS)

---

"electrical items" has the meaning provided in paragraph 26(1). "electricity" means electric capacity, electric energy, or any like property; "Electro-Technical Committee" means the Electro-Technical



# Electrical Panel Manufacturers In Guyana, Bus Duct Suppliers

---

Best Cable Tray Manufacturers In Guyana Frequently Asked Questions What is the company profile? Founded in the year 2007 under the headship of Mr. Nitin Pratap Singh - Chairman, Brilltech

## Cable Tray In Guyana

---

We offer Cable Tray in Guyana in different specifications at competitive market prices. Our range is customized and passes stringent quality tests, before reaching the market. As one of the best Cable

### Contact Us

---

For datasheets, pricing, or custom optical networking solutions, please visit:  
<https://www.entrenamientointeligente.es>