

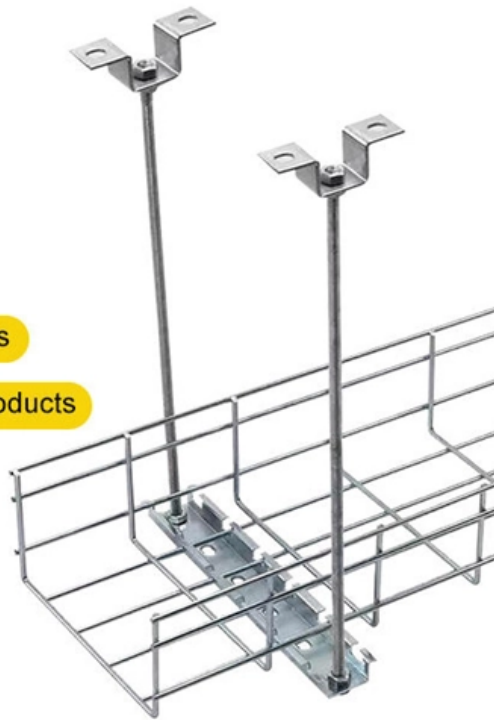
How many cores are typically in an optical fiber cable

STAINLESS STEEL WIRE MESH

Long-lasting and durable

Comprehensive specifications

Customized non-standard products





How many cores are typically in an optical fiber cable

4 Core Single Mode Fiber Optic Cable Price with

In conclusion, the 4 core single mode fiber optic cable price reflects a combination of material quality, construction type, length, and brand reputation.

Fiber Optic Cable Laying Contractors: Expert Guide 2025

Unlock high-speed connectivity. Discover how to choose the best fiber optic cable laying contractors for reliable, future-proof networks.



Fiber Optic Cable Core Count - Types & Applications

How many cores are in a fiber optic cable? Learn common fiber counts such as 1, 2, 12, 24, 48, and 144 cores and how they are used in FTTH and data

The Optical Fiber Boom I've been busy looking at so so many

Shiladitya (@shiladitya4u). 206 likes 10 replies. The Optical Fiber Boom I've been busy looking at so so many interesting earnings that I didn't have any time to post.:-) Both Sterlite

A Complete Guide to Fibre Optic Cables , RS

Common everyday networking fibre optic cable configurations include two-core options, eight-core varieties, and even twenty-four-core fibre optic cable.



Fiber-optic communication

Modern fiber-optic communication systems generally include optical transmitters that convert electrical signals into optical signals, optical fiber cables to carry the

Cost of Fiber Optic Cable: Pricing Guide (2026)

Key Takeaways Fiber-optic cable materials typically cost \$1 to \$6 per linear foot, depending on fiber count and cable type. Commercial building

Indoor / Outdoor Armored Anti-Rodent patch cord

We are a Indoor / Outdoor Armored Anti-Rodent patch cord LC/SC/FC/ST Duplex Single



mode Fiber Optic Cable Patch Cord Manufacturer. We supply fiber optic

Fiber Optic Cable Structure: Core, Cladding, Buffer

Fiber Optic Cable Structure:- Central Core: The core, made of either glass or plastic, is where the light signal travels. This image shows a multi-fiber cable with

Fiber-Optic Cable Bandwidth: Complete Guide

Explore how fiber optic cable bandwidth can transform your network's speed and efficiency, offering superior performance over traditional cables.

Multi-mode optical fiber



Energy distribution of transverse electric (TE) modes in an optical fiber. At fixed radius and refractive index, the number of modes allowed depends on the

How Many Cores Exist In A Fiber Optic Cable

The number of cores in a fiber optic cable depends on the specific design and purpose of the cable, but generally, a fiber optic cable would have a single core

MPO Fiber Connectors: Types, Polarity, Gender & Applications for

This article fully explains MPO fiber connectors based on EIA/TIA-604-5 (FOCIS 5) and IEC-61754-7 international standards, including core counts, male/female gender, three standardized



How Many Fibers Do You Need? Guide to Choosing Fiber Count

Learn how to choose the right fiber count for data centers, campuses, FTTH and backbone projects. Practical rules, sizing tips, and future-proof planning.

1 Core, 2 Core and Multi-core Fiber Optic Cables, What

Multi-core fiber optic cables can contain 3 to 12 cores within a single cable. This significantly increases the data transmission rate, making them ideal for modern,

Fiber Optic Cable Core: Understanding Its Types and Uses



Don't worry, in this guide, we'll discuss in detail what the fiber optic core is and its role in data transmission. Moreover, we'll also explore the different

Core (optical fiber)

Core (optical fiber) The structure of a typical single-mode fiber. 1. Core 9 um diameter 2. Cladding 125 um dia. 3. Coating 250 um dia. 4. Buffer or jacket 900

How Fast Is Fiber Optic Cable , Verizon Business

Links related to "how fast is fiber optic cable" Fiber vs. cable internet: What's best for your small business?, Author: Gary Hilson, For many small businesses, the past few years have shown the



How Deep is Fiber Optic Cable Buried: Installation Guide

Fiber optic cable burial depth typically ranges from 12-48 inches (30-120 cm) depending on soil, climate, cable type, and installation method. Properly

Fiber Optic Cable vs Patch Cord vs Pigtail - Complete

When you build or upgrade a fiber network, the same four words pop up everywhere-- fiber optic (bare fiber), pigtail, patch cord, optical cable. They're

How to Choose the Suitable Number of Fiber Cores for

For most setups, cables with 12, 24, or 48 cores are common choices, ensuring compatibility with modern equipment and ease of management. IBDN



Optical Fiber Termination Types Chart: SC, LC, FC, ST Comparison

Optical fiber terminations are the mechanical and optical interfaces that connect fiber cables to equipment, patch panels, and network hardware. They directly affect insertion loss, return

Everything You Need to Know About Multimode Fiber

What is Multimode Fiber Cable? Multimode fiber (MMF) is an optical fiber designed to carry multiple light propagation paths--or



How to choose the number of fiber cores?

Common fiber cores include 1 core, 2 cores, 6 cores, 8 cores, etc., and there are many types. This article will focus on the number of fiber cores,

How Many Core In Fiber Optic Cable Do I Need

Number of devices: Each device connecting to the cable typically needs two cores (one for sending and receiving data). Future-proofing: Consider

How many cores does a fibre optic cable have?

How many cores does a fibre optic cable have? A fiber optic cable typically has multiple cores, depending on its design and purpose. The most common type of



Indoor Fiber Optic Cable Price , Factory Direct Supply

When sourcing indoor fiber optic cables, price should not be your only consideration. Here's what typically affects the cost: 1. Cable Structure Simplex & Duplex: Ideal

24-Core ADSS Optical Fiber Cable Price with OWIRE Solutions

Dry core designs, though slightly more expensive, eliminate gel leakage issues and simplify splicing, reducing maintenance costs over time. Manufacturing standards and certifications

Contact Us

For datasheets, pricing, or custom optical networking solutions, please visit:
<https://www.entrenamientointeligente.es>