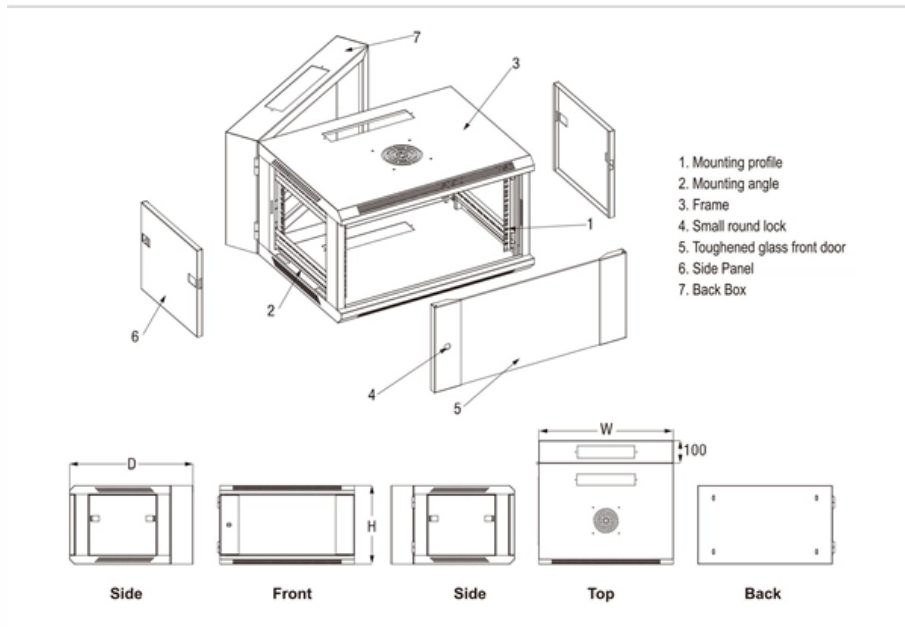




# How to Choose Maltese Mesh Cable Trays





## How to Choose Maltese Mesh Cable Trays

---

## Wire Mesh Cable Trays for IT & Data Centers: The

---

Wire mesh cable trays provide the perfect physical framework to achieve this. By optimizing airflow, enabling effortless changes, and reducing long

## Ultimate Guide to Cable Tray Selection - Types,

---

Learn how to choose the best cable tray system for your needs. Explore types, materials, installation tips, and NEC compliance in this expert guide.

## Metal Grid Trays. Wide Range

---



A wire mesh tray is a metal structure made up of a series of bars or rods in a grid pattern. These trays are primarily used in industrial, commercial, and residential

## **Cable Tray vs Ladder vs Wire Mesh: Selection Guide**

---

Not all cable trays are created equal. Three families dominate most projects-- ladder, perforated, and wire mesh. Each balances strength, ventilation, and flexibility differently. Choosing

## **Types of Cable Trays - Advantages, Applications and Sizes**

---

Explore the types of cable trays, their advantages, applications, and standard sizes. Learn how they improve cable management and support various industries.



## WIRE MESH CABLE TRAYS

---

WIRE MESH CABLE TRAYS - Home+ About Us+ TECHNICAL INFO WHERE WILL THE SYSTEM BE USED? - CORROSION PROTECTION CHOOSING THE CABLING METHOD CALCULATING THE

### Wire Mesh Cable Tray

---

Discover the key qualities to consider before buying wire mesh cable trays. Ensure safety, durability, and easy installation with the right choice.

### Cable Tray Selection Guide

---

We have summarized the applicable ranges of different cable trays to help you make a choice based on your specific needs and applications.



## **CABLE MANAGEMENT SYSTEMS CABLE TRAYS & ACCESSORIES**

---

We manufacture a wide range of products capable of providing the characteristics which respond to the proposed application, along with quality of assembly, speed of installation, and cost-saving cable trays.

### **DETERMINING THE SUITABLE TRAY SIZE**

---

There are two crucial parameters to determine the right mesh tray size. The total number of cables to be put in a mesh tray is represented as the total sum of the nominal sections of all cables to be placed in



## **Stainless Steel Wire Mesh Cable Tray Guide , SS**

---

Explore the benefits of Stainless Steel Wire Mesh Cable Tray systems. How to choose the right basket cable tray for your project. Get expert

## **Wire Mesh Cable Trays: A Comprehensive Guide**

---

Comprehensive guide to wire mesh cable trays, including their benefits, installation, maintenance & applications. Learn how to choose the right

## **How to Produce Wire Mesh Cable Trays and Complex**

---

Why Choose Wire Mesh Cable Trays? Before diving into the production process, it's crucial to understand why wire mesh cable trays are a



## Mesh Trays

---

Schneider Electric mesh trays provide versatility and simplicity. Their design enables easy direction changes in the track without using any accessories, reducing the

## Why Choose Wire Mesh Cable Trays for Your Solar Project?

---

Benefits of Using Wire Mesh Cable Trays for Solar Installations 1. Superior Ventilation and Heat Dissipation In hot climates--such as those found across Southeast Asia--proper airflow around

## The Ultimate Guide to Selecting the Right Cable Tray for

---



In this comprehensive guide, we will explore the intricacies of cable trays and provide you with the knowledge needed to select the perfect cable tray system for your

## **7 Types of Cable Trays: How to Choose the Right One**

---

Cable tray systems are engineered support structures designed to route, support, and protect insulated electrical cables used for power distribution,

## **Everything You Need to Know About Wire Mesh Cable**

---

Everything You Need to Know About Wire Mesh Cable Trays By madewithless / August 6, 2025 Wire mesh cable trays are a versatile and efficient



## Wire Mesh Cable Tray Installation: A Comprehensive

---

Installing wire mesh cable trays is a straightforward process when done correctly. By following this guide, you can ensure a safe, efficient, and durable

## IEK Cable Installation Systems.pdf

---

PDF file

### **Cable Tray Technical Guide A practical guide to product selection and**

In designing supports for a cable tray system, consideration should be given to the loads associated with future cable additions and any additional loading that may be applied to the cable tray system (e.g.,



## **Cable Tray Systems: The Ultimate Guide to Choosing the Best Options**

---

Wire Mesh Cable Tray: Ideal for lightweight cabling, providing ventilation and ease of installation. Perforated Cable Tray: Offers a stable support for cables and allows for some airflow.

## **How to Install a Wire Mesh Basket or Cable Tray , CMW**

---

Regarding cable management, correctly installing a wire mesh basket tray or cable tray is crucial for safety and efficiency. The short answer is that you need to measure up, choose the right

## **When to Choose a Wire Mesh Basket Tray Over a Traditional Cable Tray**

---



When it comes to cable management, choosing between a wire mesh basket tray and a traditional cable tray can feel like deciding between coffee and tea in the morning; both are effective,

## Choosing the Right Steel Cable Tray: Perforated,

---

Various steel cable tray types, including perforated, ladder, wire mesh and flexible trays, offer unique advantages based on application needs. Selecting

### Contact Us

---

For datasheets, pricing, or custom optical networking solutions, please visit:  
<https://www.entrenamientointeligente.es>