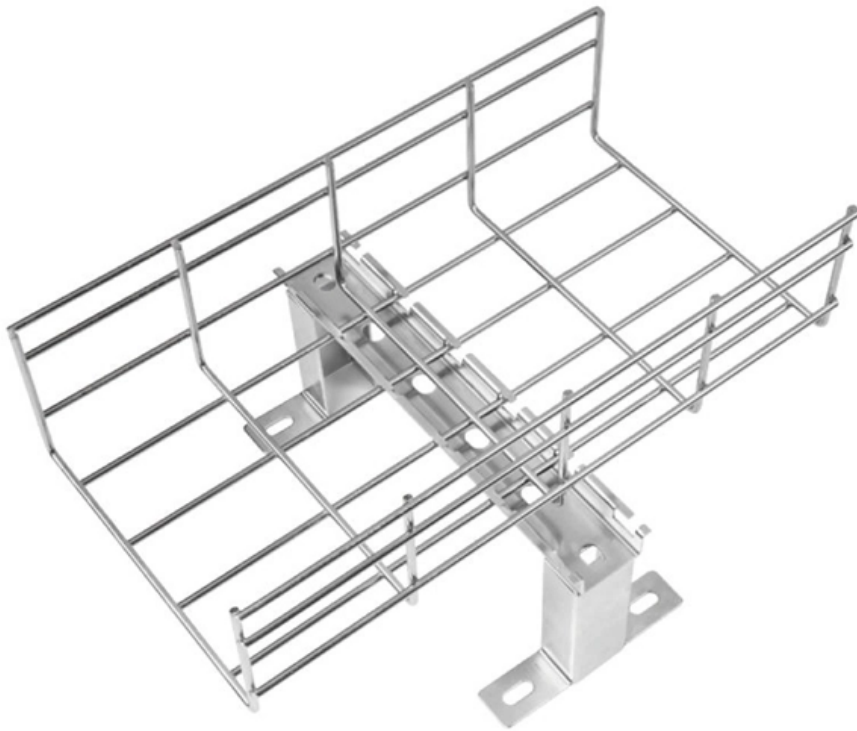


How to identify mobile optical cables





Overview

The text on the cable starts with the Corning product name "Corning Rocket Ribbon (TM) Optical Cable," date of manufacture "01/2022" and a serial number. Reading The Markings On Fiber Optic Cables Wisdom From The Street We found this cable laying in the gutter. Fiber optic cables are the backbone of modern communication systems, carrying vast amounts of data across cities and countries. In this article we are going to take a brief look at the three main types of cable; fiber optic, coaxial and twisted pair. Per TIA/EIA standards, the following color coding applies for non-military fiber optic installations: Multimode OM1 = Orange or Slate (Watch for this! OM1 is not compatible with connectors for OM2/OM3/OM4) However: Per TIA 598-C, it is permissible to use different jacket colors as long as the cable.



How to identify mobile optical cables

Your Guide to Fiber Optic Cable Jackets

If you've spent any time shopping around for fiber optic cable you've probably seen some of them be labeled as OFNP, OFCR, or something of the sort. You're

Optical Fiber Identifiers

AFL's optical fiber identifiers (OFIs) are rugged, easy-to-use test instruments that detect the presence of signals on optical fibers. An OFI is an important tool for field technicians - assuring that live fibers are



The FOA Reference For Fiber Optics

The text on the cable starts with the Corning product name "Corning Rocket Ribbon (TM) Optical Cable," date of manufacture "01/2022" and a serial number. The

Optical Fiber Identifiers

NOYES Optical Fiber Identifiers permit network personnel to identify optical fibers without the need to disconnect or cut the fiber and avoid unintended service interruptions during installation, rerouting,

A Guide to Cable Types and their Identification

In this article we are going to take a brief look at the three main types of cable; fiber optic, coaxial and twisted pair. Additionally, information on the classes and rating



How to Independently Identify Fiber Optic Cables on the

Fiber optic cables are the backbone of modern communication systems, carrying vast amounts of data across cities and countries. Identifying

How to Independently Identify Fiber Optic Cables on the

Identifying fiber optic cables on the street is an intriguing pursuit, but it requires attention to detail and a cautious approach. By observing their

Fiber Type: Identifying Installed Fiber Optic Cables



First, always look at the color of your cable. Per TIA/EIA standards, the following color coding applies for non-military fiber optic installations: Multimode OM1 =

How do I identify a fiber cable?

Fiber optic cables are crucial for high-speed data transmission, and identifying them correctly is essential for maintenance, troubleshooting, and system upgrades. Here are detailed steps and characteristics

Fiber Optic Cable Color Code: Complete Installation and

Fibers, cable jackets and connectors are clearly marked using a standardized fiber optic color code. Learn more about how this works.



How to identify a fiber optic cable belongs to

Fiber optic cables are also important for us now because it is part of how we connect to the internet and communicate with each other. There are a variety of fiber optic cables, did you know that? Today, we

Optical Fiber Identifiers Selection Guide: Types, Features

Optical fiber identifiers are designed to non-invasively identify continuous-wave signals in fiber optic cables. They are low cost, hand-held tools that identify signals in single-mode fiber without

Fiber Type: Identifying Installed Fiber Optic Cables

OFCP: Optical Fiber Conductive Plenum LSZH: Low Smoke Zero Halogen OSP: Outside



Plant Conductivity (Nonconductive vs Conductive): Fiber optic cables,

A simple method to identify the quality of optical cables

Inferior optical cables are generally replaced with thin iron wires or aluminum wires, and the identification method is very easy-the appearance is white and can be bent at will when pinched

A Guide to Cable Types and their Identification

In order to identify just which of the three types you are looking at, you will need to check the actual markings on the cable. Additionally, when fiber optic cables are



Fiber Color Code: Complete Guide to Mastering

Colored outer jackets or prints may be applied to outside plant and premises fiber cables, such as fiber distribution cables, fiber optic patch cords,

Basic Components of a Fiber Optic Cable - trueCABLE

This article examines the key components that make up a fiber optic cable including the core, cladding, coating, strengthening fibers and cable jacket.

Fiber Optic Cable Types Explained

Learn all about the differences between single mode and multimode cables, as well as the various fiber wavelengths and standard core sizes used in fiber optics.



How to identify our fiber optic cable

This video will help you understanding different ways to identify your fiber optic cables and connectors, this video was the result of a customer who approached to our California location with his

All Things Fiber Optic Internet Cables

Discover the different types of fiber optic cables and the benefits of fiber optic internet. Compare fiber connections with other types of home internet.

What is an Optical Cable Identifier?

An optical fiber identifier is an easy-to-use test instrument for locating and identifying a



desired target fiber optic cable when the fiber optic cable is in cut or splicing

How to identify fiber optic cables

Hello! We are going to learn about fiber optic cables today. The fiber optic cables are very, very awesome because the information runs through them UPER fast using light, as in light like the

Connect with Verified Fiber, optical, cable Buyers in Pakistan , Volza

Access 10061 verified Fiber, optical, cable buyers in Pakistan with contact numbers, shipment history, import pricing, and supplier data--powered by real-time trade intelligence. Updated through May



Recognizing Multimode Fiber Types by Color

Color-coding is a big help when identifying individual fibers, cable, and connectors. For example, cable jacket color typically defines the fiber type, and can differ

Identify any cable & component

The B-425 Polypropylene Cable Flag is ideal to identify fibre optic cables. The material is very flexible and comes in P- or T-shaped label formats to minimise the contact surface between the label and the

The Ultimate Guide to Fiber Optic Cable: Understanding

Discover the essential features of fiber optic cable, from multimode to duplex options. Learn how to choose the right cabling for your high-speed network.



Fiber-optic cable

A fiber-optic cable, also known as an optical-fiber cable, is an assembly similar to an electrical cable but containing one or more optical fibers that are used to carry

A Complete Guide to Fibre Optic Cables , RS

Optical Fibre Cable Uses Optic cables are commonly found in a variety of applications such as the internet and broadband, phone lines, networking, and

Contact Us

For datasheets, pricing, or custom optical networking solutions, please visit:
<https://www.entrenamientointeligente.es>