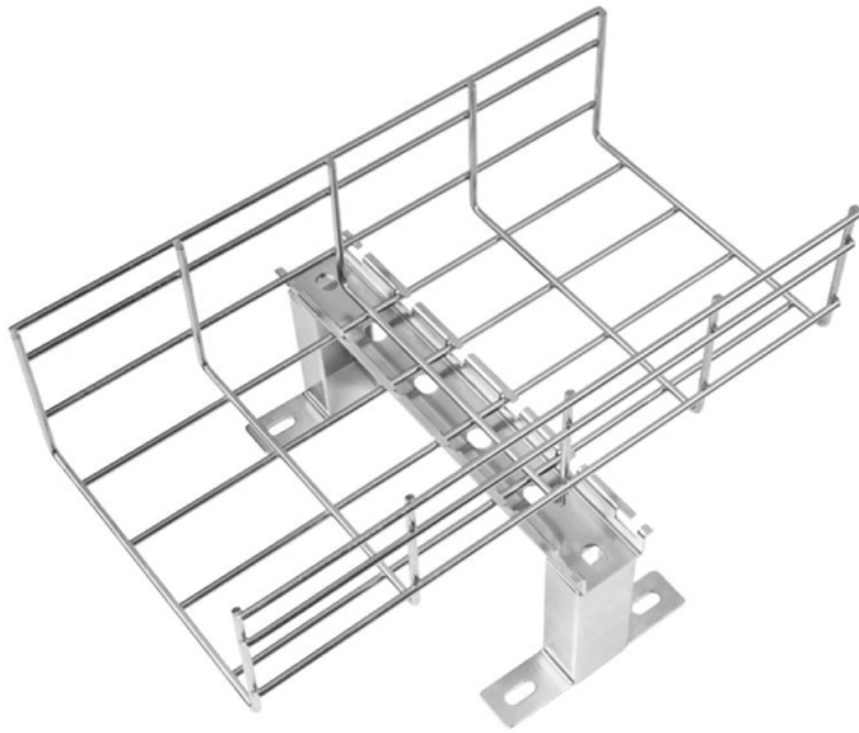




**EIT Opto-Routing**

# **Lithium-ion battery energy storage cabinet 200kWh**





## Lithium-ion battery energy storage cabinet 200kWh

---

# 800V 200KWH high voltage lithium ion battery BESS

---

This elevated voltage blueprint aids in minimizing energy wastage and amplifying overall system efficiency, furnishing you with a dependable and potent energy

## Solar Battery Manufacturer , Residential, C& I / Utility

---

Deye offers a comprehensive range of advanced Energy Storage System (ESS) batteries designed to maximize renewable energy efficiency and provide reliable



## **200KW/4800KWh C& I BESS with Solar and GEN , AINEGY**

---

This product is a 200kW/480kWh industrial and commercial integrated energy storage cabinet utilizing Lithium Iron Phosphate (LFP) battery cells.

## **100kwh 215kwh 50kwh 1MW All in One Battery Air Cooling Lithium Ion**

---

Quality Commercial & Industrial (C& I) BESS from factory, 100kwh 215kwh 50kwh 1MW All in One Battery Air Cooling Lithium Ion Commercial Industrial Energy Storage System Solar, EUR12,913.92

## **EnerCube-100kW/200kWh-B Battery Storage Cabinet**

---

Optimize your energy solutions with the EnerCube-100kW/200kWh-B Battery Storage Cabinet, designed for efficiency and reliability; explore our offerings today.



## Understanding Lithium-ion Battery Weight and Energy

---

You encounter lithium-ion battery weight and density as key factors when designing battery packs for electric vehicles, electronics, or industrial

## ESS Deye Solis Full Complete Solar Energy System 10kw 20kw 30kw

---

Battery Type Lithium Ion Grid connection Hybrid grid, Off grid Cooling Liquid Cooling  
Protection Class IP65 Communication Port RS485, CAN Place of Origin Guangdong, China  
Model Number HY-50K



## Lithium Battery Containers

---

Discover lithium battery containers with IP65 protection, LiFePO4 cells, and 6000+ cycles. Ideal for solar & commercial energy storage. CE certified.

## Commercial & Industrial Storage BESS System

---

This article introduces GSLENERGY's dual-cabinet GSL-BESS50kVA high-voltage hybrid integrated energy storage system, which covers a capacity

## 500kwh-rack-mounted-lithium-battery-cabinet-solution-in-bulgaria

---

WERER ENERGY specializes in advanced energy storage solutions for a sustainable and efficient future. Focused on lithium-ion battery technology, we serve industries from caravans, tiny houses, and



## **ETN News , Energy Storage News , Renewable Energy**

---

ETN news is the leading magazine which covers latest energy storage news, renewable energy news, latest hydrogen news and much more. This magazine is

## **Solar Energy Storage Cabinets**

---

Lithium-ion Battery ESS One of the most popular and rapidly advancing technologies, lithium-ion batteries store energy through electrochemical reactions and are widely used across all scales.

## **Maintenance Guide For Energy Storage Lithium Battery System**

---



Slovenia energy storage solar energy storage cabinet lithium battery prices Recent industry analysis reveals that lithium-ion battery storage systems now average EUR300-400 per kilowatt-hour installed,

## **200kwh Lithium Ion Battery Cabinet Solar Energy Storage System**

---

We provide complete solutions for PV power plants and energy storage systems, covering solar PV modules, storage batteries, power conversion systems (PCS), battery management systems (BMS),

## **50kw 100kwh all in one cabinet bess battery energy**

---

Energy Cube 50kW-100kWh C& i ESS integrates photovoltaic inverters and a 100 kWh energy storage system. It includes battery cells, Battery Management



## **Solid-State Batteries vs Lithium-Ion 2026: Complete Technical**

---

Executive Summary Solid-state batteries (SSBs) represent the most significant leap in energy storage technology since the commercialization of lithium-ion batteries in 1991. By replacing

## **200kWh-241kWh High Voltage Lithium Battery Energy Storage**

---

BSLBATT ESS-GRID Cabinet Series is an industrial and commercial energy storage system available in capacities of 200kWh, 215kWh, 225kWh, and 245kWh. It offers peak shaving, energy backup,

## **Deye Solar ESS System Commercial Deye Solis 50KW**



## Complete Solar Energy

---

Battery Type Lithium Ion Grid connection Hybrid grid, Off grid Cooling Liquid Cooling  
Protection Class IP65 Communication Port RS485, CAN Place of Origin Guangdong, China  
Model Number HY-50K

## 100kwh All In One Outdoor Lithium Ion Battery Cabinet

---

Tags: 100kwh lithium ion batteries Lifepo4 battery solar energy storage system bess cabinet  
PREVIOUS: Stackable Lithium Ion Battery Pack 15kwh 20kwh 30kwh 40kwh  
LifePo4 Lithium

## 200kWh 215kWh 225kWh 245kWh C & I ESS Battery System , BSLBATT

---

The BSLBATT 200kWh Battery Cabinet utilizes a design that separates the battery pack



from the electrical unit, increasing the safety of the cabinet for energy storage batteries.

## Contact Us

---

For datasheets, pricing, or custom optical networking solutions, please visit:  
<https://www.entrenamientointeligente.es>