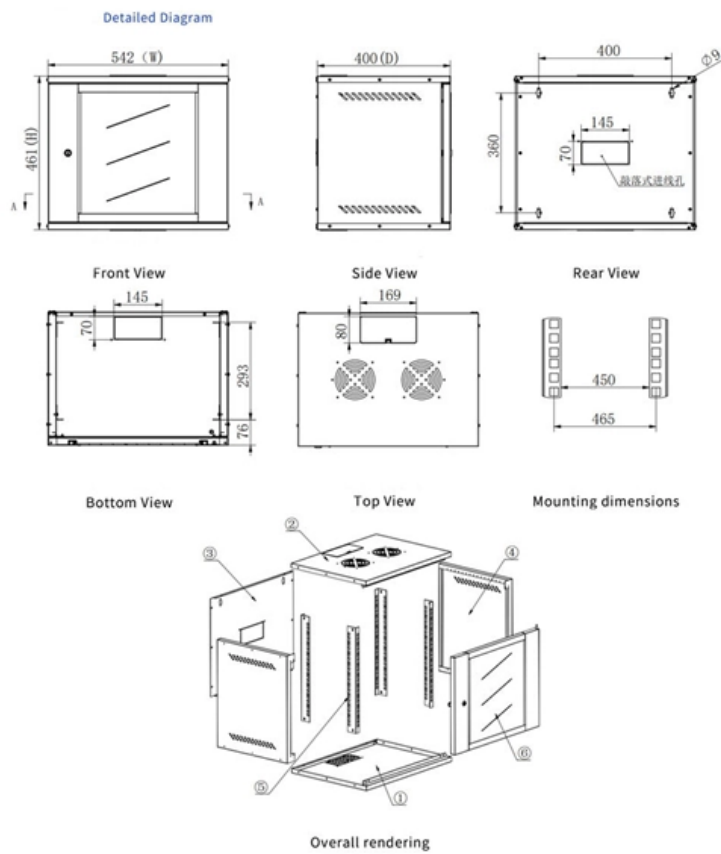


Optical Fiber of Optical Module





Overview

An optical module is a typically hot-pluggable optical transceiver used in high-bandwidth data communications applications. Electrical Interface Types There have been multiple variants of the electrical interface of optical modules that have been used over the years.



Optical Fiber of Optical Module

Corning Optical Communications , Fiber Optic

We deliver optical connectivity solutions for every segment of the network, including carriers, data centers, in-building networks, and original equipment manufacturers

What is an Optical Module?

Explore the world of optical modules, essential components in optical fiber communication. Learn about the different types of optical modules, their

Fiber Optic Connectors, Termini, Cable Assemblies,



and

Military Fiber Optics: Rugged, High-Bandwidth Military Defense and Aerospace-Grade Fiber Optic Connectors, Termini, Toolkits, Cable Assemblies, and

SFP Optical Module 1.25G Single Optical Fiber 20km

This is a standard SFP optical module. It uses a single mode optical fiber and the speed rate can up to 1.25Gbps, transmission distance up to 20 km.

How Industry Collaboration Fosters NVIDIA Co

NVIDIA is developing a co-packaged optics (CPO) platform that integrates optical and electrical components to improve data-center connectivity,



Understanding Optical Modules: A Comprehensive Guide

Optical modules operate by converting electrical signals from network devices into light signals that travel through fiber optic cables. At the receiving

Optical Modules: Powering High-Speed Fiber Networks

Optical modules (also known as fiber optic transceivers) are essential components in modern communication networks, enabling high-speed data transmission by converting electrical

Blackmagic Design Mini Converter Optical Fiber 12G-SDI



Buy Blackmagic Design Mini Converter Optical Fiber 12G-SDI featuring Converts 12G/6G/3G-SDI to Optical Fiber, Supports Signals up to DCI 4K25, Multi-Rate,

Comprehensive Analysis of Optical Module: Detailed Explanation of

Optical module is a key optical fibre communication device, its main function is to convert electrical signals into optical signals and transmit data through optical fibre media.

Optical Module Working Principle , SFP Transceiver Technical Guide

Understanding the working principle of optical modules--especially SFP transceivers--is critical for network engineers, data center operators, and telecom professionals tasked with building and



femtoWHITE fiber modules

femtoWHITE fiber modules - for supercontinuum generation Our maintenance-free FemtoWHITE devices make supercontinuum generation easy. We have designed

100G Optical Transceiver, Optical Transceiver Module

The 100G QSFP28 ER1 optical transceiver modules are designed to support 100G Ethernet, suitable for data center links up to 40km over single-mode fiber. The

The Most Comprehensive Guide Of Optical Modules



Explore the ultimate guide to optical modules. Learn types, functions, performance metrics & how to choose the right module for your fiber network.

Understanding Optical Modules: Working Principles,

Explore the working principles, structures, and performance metrics of optical modules, essential components of optical fiber communication systems. Learn

Fiber Optic Components Market Report 2025

The fiber optic components market is projected to grow from USD 36.69 billion in 2025 to USD 58.65 billion by 2030, growing at a CAGR of 9.8%.



Shop HP HPE SFP+ Module For Data Networking, Optical Network 1 x LC 10GBase LR Network Optical Fiber Single mode 10 White products at Best Buy. Find low everyday prices and buy online for

Fiber Optic Cable Types Explained

Our comprehensive guide to types of fiber optic cables. Learn all about the differences between single mode and multimode cables, as well as the various

What Is an Optical Module and Its FAQs (V300)

As an important part of fiber-optic communication, an optical module is a photoelectric converter which converts electrical signals into optical signals and vice versa. An optical module



Dell

Dell SFP28 Module - For Data Networking, Optical Network - 1: The Dell EMC PowerEdge SFP28 transceiver delivers fiber connectivity to extend the range of your network. This hot-pluggable

Annual Report on Viaphoton's Revenue, Growth, SWOT Analysis

Viaphoton's Annual Report & Profile shows critical firmographic facts: What is the company's size? (Annual sales and employees) Viaphoton's annual revenues are \$10 - \$100 million (see exact

Best Fiber Optics Stocks to Buy Now in 2026



Institutions have been scooping up the space relentlessly. There's plenty of upside. Here are the 3 best fiber optics stocks to buy in 2026.

Cisco Optics , Transform Your Network

Get the highest quality, performance-leading optical transceivers for any network architecture. Find the transceiver model to fit your network.

400G Optical Modules Explained: SR4 Vs. DR4 Vs. FR4

Key differences between SR4, DR4, FR4, and LR4 400G optical modules. Expert advice from Asterfusion engineers to optimize your data center



Optical Fiber , Optical Fiber Products , Corning

Optical fiber broadband brings together a culture of innovation, quality, and manufacturing excellence to create life-changing products.

Contact Us

For datasheets, pricing, or custom optical networking solutions, please visit:
<https://www.entrenamientointeligente.es>