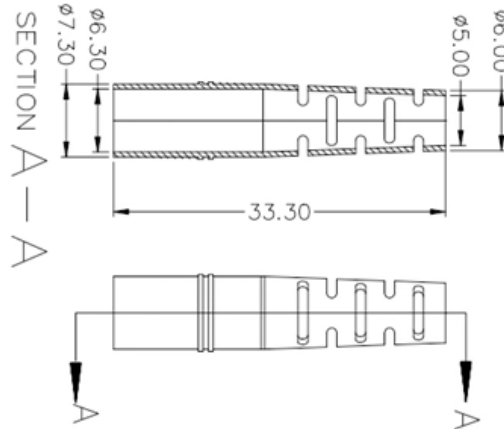


Optical module ALM light





Optical module ALM light

ALM fiber monitoring solution ALM - Cabinet Door Sens

How does it work? The illustration nearby shows multiple sensors deployed in a fiber optic network on a single fiber. central office and continuously monitors the optical link. Each door or cabinet location is

ALM -- Lighting de~ ned

ALM is your perfect partner for individual lighting solutions thanks to its lighting design and expertise. The spectrum of our products links functional design and clean aesthetics with lighting technology.



Project Lighting

The Clealine Wall is a simple linear lighting option for ambient illumination in public or private spaces providing both direct and indirect lighting performance.

Lighting modules , Light sources for various applications

Our expertise ranges from the selection of suitable cooling to the development of optics for targeted beam shaping and application

Adaptive Logic Module (ALM) Definition

The devices in the Intel Agilex FPGA portfolio use an enhanced adaptive logic module (ALM) similar to previous generation Intel FPGAs. The enhanced ALM allows for efficient



implementation of logic

Products , ALM Lighting

We know exactly how you need your product: on time, on budget, and all backed up with only the very best in pre and post order service. Copyright © 2026 ALM, Architectural Lighting - All Rights Reserved.

Adtran ALM , ALM Fiber Monitoring Solution from MHz

In recent decades, optical fiber has become the predominant choice for operators to run their services across. But with the rapid expansion of fiber networks, many



ALM fiber monitoring

Our ALM is a vital tool for service providers aiming to deliver superior performance. Designed for maximum power efficiency, it provides real-time, in-service fiber

ADVA Optical Networking ALM16

The ADVA ALM can concurrently monitor up to 16 fibers by feeding an optical test signal into the data-carrying fiber at unused spectrum, enabling fully non-intrusive

Angular light modulator using optical blinds

In this paper, we report a novel device concept termed angular light modulator (ALM). Different from the SLM, the reported ALM employs a tunable blind structure to modulate the angular



Optical module

An optical module is a typically hot-pluggable optical transceiver used in high-bandwidth data communications applications. Optical modules typically have an electrical interface on the side that

products catalogue

In various sizes and with different light sources it is suitable for individual workspace task lighting, conference rooms or larger spaces when used in multiple configurations.

Company

ALM is a prime manufacturer of standard and bespoke architectural lighting products



based on a clear language of clean, simple details and enhanced photometric performance.

LightCounting :: Scale-up networks in AI Clusters is a

A surge in AI development created a new wave in demand for optical connectivity in 2023-2025 and it will sustain the market's growth through 2030. The Figure below

ALM Lighting

ALM, Architectural Lighting ALM utilizes the same state-of-the-art and fully supported LED solutions in order to maintain a consistency of performance and appearance



OFC 2025: POET demos light source, 1.6T optical engines, for AI apps

POET Technologies Inc. is demonstrating its Blazar(TM) and Teralight(TM) products at OFC 2025. POET's Blazar(TM) is built on the POET Optical Interposer(TM) platform, is a light source solution

Lighting defined

The ALM Standards range is characterized by clean lines, architectural shapes and the latest, most efficient LED lighting sources and controls. By maintaining a no-frills approach to the standard

Click to ALM >

Cleanly designed and engineered fixtures with understated details used to create world class lighting solutions in large public spaces, such as offices and hotels.



ALM fiber monitoring solution Data sheet ALM Series

Our ALM is an in-service fiber monitoring solution that provides operators with real-time insight into the quality of their fiber infrastructure. In the event of abnormal attenuation, fiber break or a tapping

Contact

Transmission equipment Optical transceiver modules (10G, 40G, 100G, 400G, 800G), GPON networks (OLT, ONT), active WDM equipment, and CPE. Passive equipment Optical fiber cables, optical



Internal Structure of Optical Modules

Optical modules are key components in fiber optic communication systems, responsible for electro-optical conversion, meaning the conversion of electrical signals to optical signals or vice

Alm Operating Lights

ALM operating lights are essential medical devices used in surgical environments to provide precise, high-intensity illumination during procedures. These lights are categorized based on several key

Contact Us

For datasheets, pricing, or custom optical networking solutions, please visit:
<https://www.entrenamientointeligente.es>