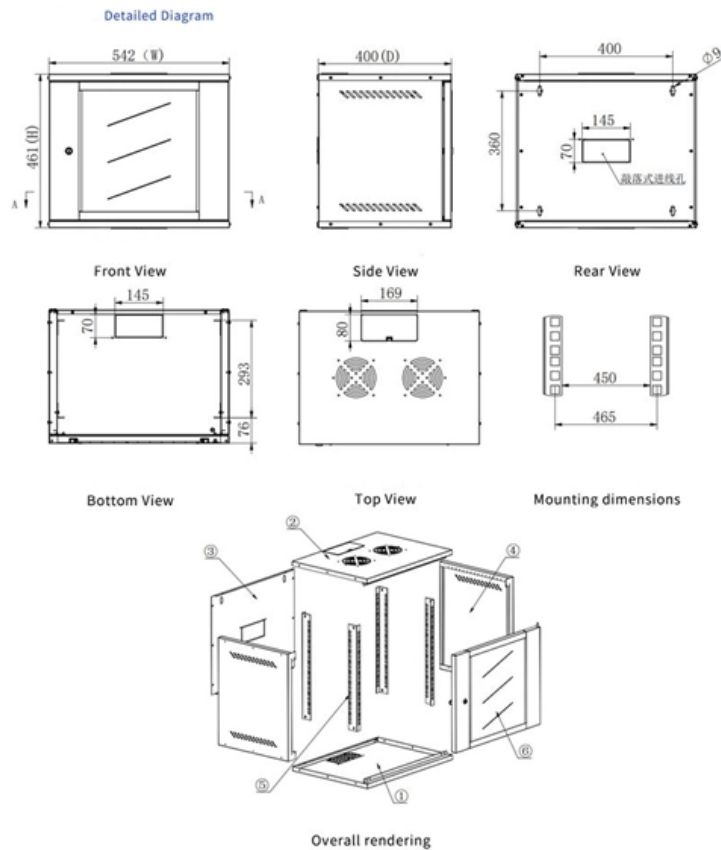


Purchase 200G QSFP optical modules





Purchase 200G QSFP optical modules

JTOPTICS 200G Transceivers , High-Performance 200G Solutions

200G Transceivers by JTOPTICS deliver high-speed optical data transmission and are ideal for data centers, enterprise networks, and telecom applications. Engineered for reliability and scalability,

200G/400G/800G Optical Transceiver Modules , FiberMall

200G/400G/800G optical module features up to 40km transmission distances using QSFP56/QSFP-DD footprints for data center interconnect applications - FiberMall



QSFP-DD Price Guide 2026: 400G/800G Costs & TCO Analysis

QSFP-DD price guide with 400G/800G module costs, OEM vs third-party comparison, volume discounts, and 3-year TCO analysis for data center buyers.

400G vs 800G Optical Module: Which is Right for Your Network?

A deep technical comparison of 400G vs 800G optical module technology. Understand the key differences, benefits, and applications to optimize your next-generation data center network.

Telecom Optical Module Market Research Report 2033



The Telecom Optical Module market was valued at \$24.8 billion in 2025 and is projected to reach \$47.3 billion by 2033, growing at 8.4% CAGR.

Optical Transceiver Manufacturer, Huawei S6720s

Huawei S6720S switch and 40G QSFP+ optical module matching solution: The 40G optical module can support hot plug with a maximum speed of 41.2Gb/s and a

Advanced Connectivity: The Evolution of 800G QSFP-DD DR8 MPO

1. Summary The rapid proliferation of artificial intelligence and high-performance computing has catalyzed the demand for the 800G QSFP-DD DR8 MPO transceiver module, a



200G QSFP56

The 200g QSFP56 modules produced by SULITON are suitable for most switch brands on the market, such as MSA, Cisco, Huawei, Juniper, Dell, Edge-Core and other switches.

QSFP-DD-400G-SR4 Optical Transceiver 1. Summary

Discover the details of QSFP-DD-400G-SR4 Optical Transceiver 1. Summary at LonRise Equipment Co. Ltd., a leading supplier in China for Optical Transceiver Module and SFP Optical

200G QSFP56 Optical Transceiver Modules , AscentOptics

200G QSFP56 modules use 4x50Gb/s PAM4 channels on 4 wavelengths near 1300nm or 850nm to achieve 200GE connectivity, compliant with IEEE 802.3cd -



Huawei QSFP-DD-400G-SR4 400G Optical Transceiver Module

The Huawei QSFP-DD-400G-SR4 is a high-performance, hot-pluggable optical transceiver designed for 400 Gigabit Ethernet links over multi-mode fiber (MMF). Utilizing the QSFP-DD (Quad Small Form

Original SFM2-200G 200G QSFP28 optical module: supports 40km

Alcatel Lucent SFM2-200G Product Introduction Product Overview: The Alcatel Lucent SFM2-200G is a high-performance optical transmission module designed specifically for high-speed



NVIDIA/Mellanox MMA1T00-VS Compatible 200GbE

Description NVIDIA/Mellanox MMA1T00-VS Compatible 200GbE QSFP56 MMF Optical Transceiver Module (MPO APC 850nm SR4 100m) NVIDIA/Mellanox

400G Optical Transceiver: Cisco 400G Optics, Pricing & Applications

The 400G optical transceiver has been established as the mainstream solution for next-generation core interconnects. Whether Cisco 400G transceivers or widely adopted modules such as

Active Optical Cable , AOC , Active Optic Cables , Optics

200G QSFP DD Active Optical Cable (AOC) DOUBLE DENSITY, COST EFFICIENT, HIGH



PERFORMANCE Amphenol QSFP DD to QSFP DD

Generic Compatible 200GBASE-SR4 QSFP56 850nm 100m DOM

The Generic Compatible QSFP56 Optical Transceiver Module is designed for 200GBASE Ethernet throughput over MTP/MPO-12 connectors using OM4 multimode fiber (MMF) with a wavelength of

QSFP 200G SR4-S Transceiver , 200G Optical Module

The QSFP 200G SR4-S Optical Module utilizes advanced 50G PAM4 modulation technology and Digital Signal Processing (DSP) technology to support high-speed data transmission for 200G Ethernet and



NVIDIA/Mellanox MMA4Z00-NS-T Compatible Coherent

NVIDIA/Mellanox MMA4Z00-NS-T Coherent VCSEL & Broadcom DSP Compatible OSFP-800G-2xSR4 OSFP PAM4 Optical Transceiver Module, Support

200G Optical Transceivers , High-Speed QSFP56 Modules for Data

Boost network performance with 200G optical transceivers. Designed for data centers, 5G, and cloud infrastructure, our QSFP56 modules deliver low latency, high reliability, and seamless compatibility.

Warranty QSFP optical module 800G online manufacture



Good quality warranty qsfpo optical module 800g from warranty qsfpo optical module 800g manufacturer, Buy warranty qsfpo optical module 800g online from China.

Optical Module Package Market 2025

South America In South America, the Optical Module Package market is in a nascent growth phase, with Brazil leading in telecommunication infrastructure upgrades. Demand is concentrated in urban

64-port 400G QSFP-DD 25.6T Ethernet 2U Switch for AI

N9200-64DC is a high-density 400G RoCE 2U switch with 64x400G QSFP-DD ports, SONiC OS, and Broadcom Tomahawk 4 (BCM56990), providing 25.6Tbps



200G QSFP-DD 2×CWDM4 DML 2km Optical Transceiver

GIGALIGHT 200G QSFP-DD 2×CWDM4 optical transceiver modules are designed for using in 2×100G Ethernet 2km links over single-mode fiber. They are compliant with the QSFP-DD MSA and with

Warranty QSFP optical module 800G online manufacture

800G QSFP-DD Overview This 800G QSFP-DD Loopback Module is a high-performance passive test component designed for QSFP-DD port validation and system debugging in 800G optical

OEM 100G QSFP28 & 200G QSFP56, QSFP-DD, CFP2



Wolon Fiber manufactures strictly MSA-compliant 100G QSFP28 and 200G QSFP56, QSFP-DD, and heavy-duty CFP2 optical interconnects optimized for ultra-dense Spine-Leaf topologies and long-haul

Contact Us

For datasheets, pricing, or custom optical networking solutions, please visit:
<https://www.entrenamiento.inteligente.es>