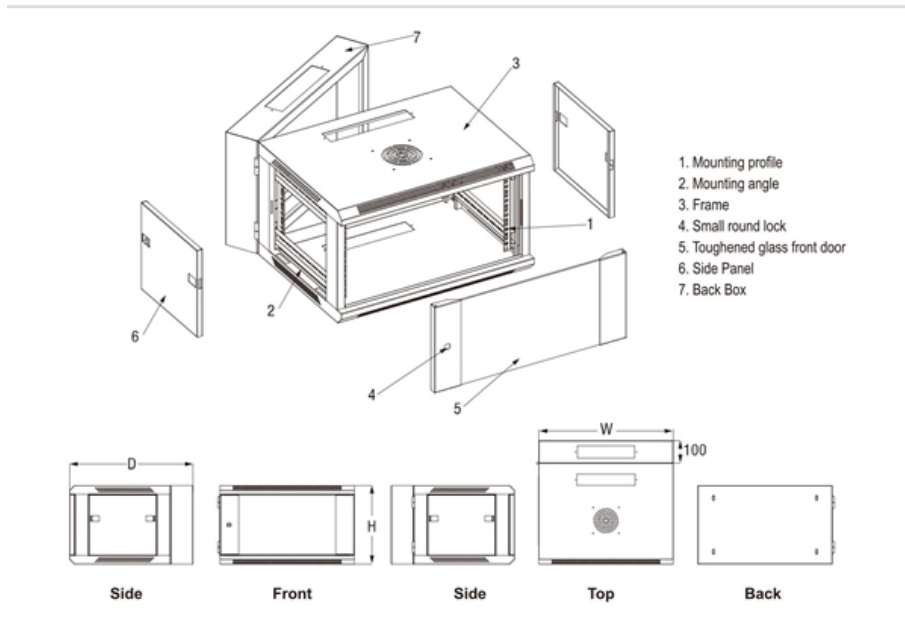


Replacement of the distribution box body





Overview

In a theatre, a specialty panel known as a rack is used to feed stage lighting instruments. In a 96 dimmer rack, there are 32 dimmers on phase A, 32 dimmers on phase B, and 32 on phase C to spread. Yet the distribution box is a highly complex component that not only ensures safe power distribution, but is also responsible for protection in an emergency. In this article, you will learn everything you need to know about installing, expanding or replacing a distribution box - from the legal. Buyers typically pay for a full panel replacement, including labor, materials, and permits. After waste leaves your septic tank, this unassuming junction box: Most D-boxes are made from durable concrete, tough plastic, or fiberglass - materials chosen to withstand decades buried in corrosive soil.



Replacement of the distribution box body

Distribution Box Replacement Cost Guide 2026

Buyers typically pay for a full panel replacement, including labor, materials, and permits. Key cost drivers include panel amperage, indoor vs outdoor location, wiring length, and whether a full

How to Install a Distribution Box--A Comprehensive

Distribution Box Installation: Put the distribution box on the installation surface, and align the position of the expansion bolts and tighten the screws. This



Replacing septic system distribution boxes EP59

In this video I replace several distribution boxes. Septic system distribution boxes are designed and used primarily for standard type effluent dispersal fields allowing installers to either

Analysis on the Installation of Assembled Distribution

First, fix the distribution box or panel using an iron frame. Straighten the angle steel, measure the dimensions, mark the cutting lines based on the

How much does septic distribution box replacement cost?

Septic distribution box (D-box) replacement costs \$600 to \$2,000 on average. Costs vary based on the materials used, local labor rates, and



Essential Steps for Effective Septic Distribution Box Installation

Learn how to install a septic distribution box with essential steps, tips, and maintenance recommendations for long-lasting efficiency.

Distribution board

Overview Theatre lighting North America United Kingdom Manufactured differences Location and designation

In a theatre, a specialty panel known as a dimmer rack is used to feed stage lighting instruments. A U.S. style dimmer rack has a 208Y/120 volt 3-phase feed. Instead of just circuit breakers, the rack has a solid state electronic dimmer with its own circuit breaker for each stage circuit. This is known as a dimmer-per-circuit arrangement. The dimmers are equally divided across the three incoming phases. In a 96 dimmer rack, there are 32 dimmers on phase A, 32 dimmers on phase B, and 32 on phase C to spread



Comprehensive Guide to Septic Distribution Box Replacement Costs

Discover a detailed breakdown of septic distribution box replacement costs, including materials, labor, and hidden expenses.

The Complete Guide to Distribution Box: Installation, Types & More

Quality distribution boxes represent a wise investment that pays dividends through improved safety, reduced maintenance costs, and enhanced system flexibility. As electrical demands

Distribution box : Spare parts



For maintenance operations or installation upgrades, we can provide exchanger parts which are removable and therefore by nature replaceable. The distribution

Septic Tank Distribution Box Replacement Cost Guide

Understanding Septic Tank Distribution Box Replacement Septic systems are an essential part of rural and suburban sanitation, designed to treat wastewater from homes that are not

Distribution Box Replacement Cost Guide 2026

Overview Of Costs Cost ranges account for panel amperage, location, and whether a full upgrade or repair is needed. A typical home replacement for a 100-125A indoor panel runs about



Essential Insights on Replacing Your Septic Tank Distribution Box

Discover costs, factors, and tips for replacing your septic tank distribution box to ensure a reliable wastewater system.

Replacement of Distribution board (Fusebox, Consumer)

Our work at PG Electrical focuses on replacement and installations of fusebox consumer units so that your electrical system remains safe, reliable, and up-to

Distribution Box Replacement Cost Guide - Design Transition Studio



Distribution Box Replacement Cost Guide January 24, 2026 Buyers typically pay a broad range for replacing a distribution box, driven by box size, amperage, wiring runs, and local labor rates. This

Septic Distribution Box Replacement Cost Guide 2026

Buyers typically pay a wide range for septic distribution box replacement, with cost driven by box material, accessibility, and local permitting. This guide outlines typical price ranges, how costs

Replace right power distribution box (after vehicle diagnosis)

The work instructions for ensuring correct cable assignment and replacement of fuses in the power distribution box must be observed.



Comprehensive Guide on Costs to Replace Septic System D-Box

Explore the costs and factors involved in replacing a septic system distribution box, from materials to labor and permits.

Guide to replacing components inside the distribution box

Most D-boxes are made from durable concrete, tough plastic, or fiberglass - materials chosen to withstand decades buried in corrosive soil. Inside, you'll find inlet and outlet ports, leveling

The Complete Guide to Septic Tank Distribution

The Complete Guide to Septic Tank Distribution Boxes Septic tank distribution boxes, also known as D-boxes, are a crucial component of any septic

Distribution box

Yet the distribution box is a highly complex component that not only ensures safe power distribution, but is also responsible for protection in an emergency. In this article, you will learn everything you need

Replacing a Septic System Distribution Box

How to replace a septic system distribution box or "D-Box".I also want to thank Wastewater Solutions for performing the work shown in the video. I definitely



how to change electrical box_switchgear_Switchboard_circuit breaker

To replace an electrical box (such as a power distribution box or a meter box), the corresponding solution should be selected according to the type and scenario.

Septic System Repair

This video is a brief synopsis of how to replace a distribution box in your residential waste water treatment system.I noticed the grass was greener than the

Distribution Box Replacement Cost Guide - One and Done Prep



Basic: 100-120A panel replacement, indoor location, no upgrade. Materials \$450, labor \$900, permits \$0-\$200, total \$1,350-\$1,550, per-breaker costs vary, overall project time 4-6 hours.

Septic Distribution Box Replacement Cost? [2026 Data]

Septic distribution box replacement costs aren't low, but it's an item that causes obvious problems when not functioning correctly. Learn what factors

Understanding Distribution Boxes: A Comprehensive Guide

A distribution box, also known as a power distribution box or electrical distribution box, is used to distribute electrical power safely to multiple



How Much Does Septic Distribution Box Replacement

The replacement cost of a septic distribution box can vary based on several factors, including labor, materials, and location. At the time of writing this

Contact Us

For datasheets, pricing, or custom optical networking solutions, please visit:
<https://www.entrenamientointeligente.es>