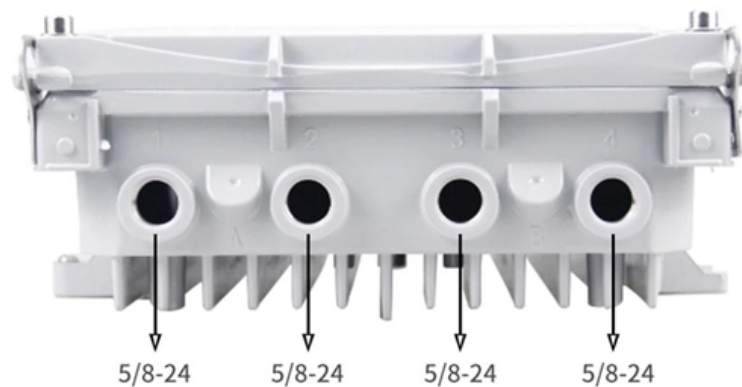


# Singapore Level 2 High Voltage Distribution Box





## Singapore Level 2 High Voltage Distribution Box

---

# High Voltage Installation Guide for Industrial Plants SG

---

These voltage levels ensure efficient electricity distribution and minimize long-range power losses. Why is High Voltage Used in Industrial Plants? Industrial plants

## SINGAPORE STANDARD Code of practice for electrical installations

---

This Singapore Standard was approved on 17 September 2018 by the Electrical and Electronic Standards Committee under the purview of the Singapore Standards Council.



## **Medium / High Voltage Enclosure ( MV, HV )**

---

Description Medium Voltage ( MV) & High Voltage ( HV ) Enclosure / Junction Box -  
Exproof Certification 1) ATEX, Zone 1, Zone 2, Zone 21, Zone 22 2) IECEX

## **NewLight Energy Singapore Pte. Ltd.**

---

Our main products include prefabricated substations, high and low voltage switch cabinets, electrical distribution box, distribution and other electrical equipments, as well as solar

## **Distribution Box Installation Singapore , Electrical Service**

---

This plan outlines the placement of the DB Box, the type of box needed, and any additional components or modifications required for your



## **Distribution Box Installation Singapore , Home Maintenance**

---

Upgrade your powersystem safely with expert distribution box installation in Singapore. Licensed electricians, code-compliant wiring & reliable service.

## **High Voltage Operation for Engineers**

---

Participants will benefit from learning in the High Voltage Training Centre, which is fully equipped with the following range of 22KV distribution network equipment interfaced to a modern

## **GRID 2 G**

---



grid. This would lead to increased emphasis on the low and medium voltage distribution network, as opposed to the high-voltage transmission network. This need will be further exacerbated by the rapid

## **Distribution Board (DB) Box Installation , Lito Electrical**

---

As such, the DB board is essential in maintaining a safe and dependable electrical system. Parts in a Distribution Board (DB) Box A DB box, or power distribution

## **High Voltage Installation Guide for Industrial Plants SG**

---

In this guide, we will cover everything you need to know about high-voltage installation--from technical requirements to safety compliance and best



## **EMA , Electrical/Supply Installation: Inspection**

---

To use a generator and the associated electrical installation for a mini-fair/trade-fair, you will need a valid Supply Installation Licence. To obtain

## **Control Boxes Manufacturer in Singapore , Custom Solutions by Actenn**

---

Actenn is a leading control boxes manufacturer in Singapore, delivering custom, high-quality solutions for industrial, energy, and automation applications.

## **Distribution Box Installation , Singapore**

---



Distribution Box Installation More commonly referred to as DB box (distribution board box), breaker box, or power box, the distribution box is a major

## Professional DB Box Installation Services in Singapore

---

Reno Guys offers reliable DB box installation services in Singapore, ensuring safe and efficient electrical systems for your home or business. Contact us today!

## DB Box (Distribution Board Box) Installation

---

DB Box Installation & Replacement: Enhancing Electrical Safety in Singapore Homes In Singapore, ensuring the safety of electrical systems within homes is paramount.



## **NewLight Energy Singapore Pte. Ltd.**

---

Product Classification Our main products include prefabricated substations, high and low voltage switch cabinets, electrical distribution box, distribution and other electrical equipments, as

### **XM series distribution box\_Low voltage complete**

---

The XM series distribution box is widely used in building lighting and small power control circuits for power plants, substations, mining enterprises, hotels, apartments, high-rise buildings, ports, stations,

### **Enclosures, Cabinets, Boxes , Schneider Electric**

---

Protect the reliability and efficiency of your processes with our complete range of high quality, standard and custom enclosures, cabinets and boxes.



## Outdoor Low Voltage Distribution Pillar

---

Outdoor Low Voltage Distribution Pillar OUTDOOR LOW VOLTAGE DISTRIBUTION PILLAR  
The Low Voltage Distribution designed and constructed for outdoor applications. These weatherproof pillars in

## Chan Chee Hin

---

The design, installation and maintenance of electrical distribution systems are essential to the reliability of the plants and buildings, and the safety of the personnel in the buildings.

## Low Voltage Electrical Distribution Products

---



Discover our full range of safe and reliable solutions for low voltage electrical distribution products, including circuit breakers, switches and enclosures.

## High Voltage Enclosure In Singapore - Asiatec.sg

---

Asiatec is the top most renowned place for high voltage enclosure in Singapore at very affordable price on [asiatec.sg](http://asiatec.sg)

## Asiatic Group

---

The HENSEL range of products are designed to withstand the harshest conditions and environment. Wherever dusty and humid environmental conditions place high



## How To Installation Distribution Box: Efficient Guide

---

How To Installation Distribution Box: Efficient Guide Electricity is key to our modern comforts in Singapore. Yet, we often overlook the safety it brings. The distribution box is a silent protector in your

## Safeguarding the Backbone of Singapore's Grid

---

Kane Neo and his team protect a part of the power world that is invisible to most - the high voltage transmission networks. These networks form

## Vessel SH-SP2 High-Voltage Distribution Box - Novus

---

[Click to enlarge Home Shop Electrical Equipment & Supplies Other Electrical Equipment Vessel SH-SP2 High-Voltage Distribution Box NSK M-EDC](#)



## Transmission Code (as of 26 Sep 2024)

---

1.2.3 Such installations in existence before the date on which this Code comes into force which meet the standards and specifications of the 1998 Transmission Code or have waivers from the provisions of

### Contact Us

---

For datasheets, pricing, or custom optical networking solutions, please visit:  
<https://www.entrenamientointeligente.es>