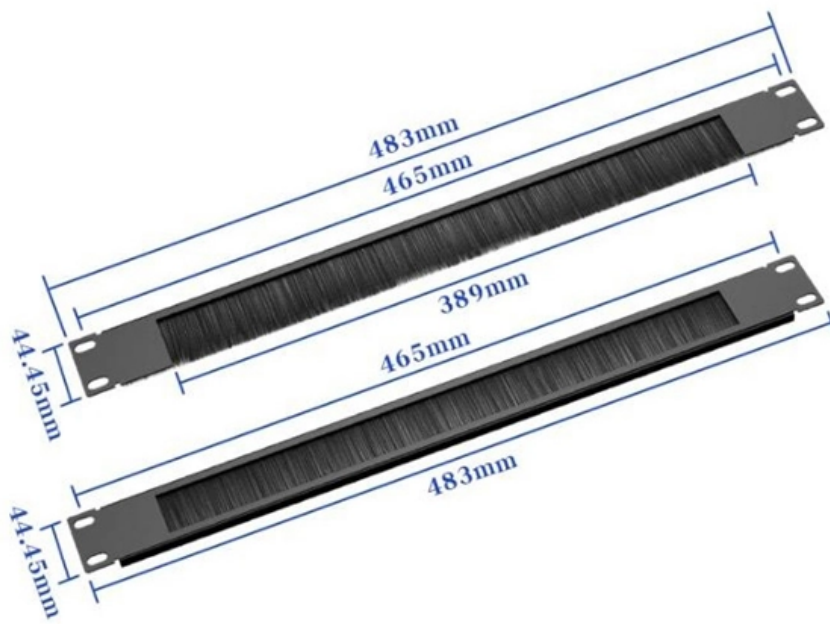


Single-mode optical cable B13





Overview

This ultra-low-loss single-mode fiber for long haul terrestrial applications utilized in optical fiber cable shall meet ITU Recommendations G. With a typical core diameter of 8-10 micrometers (μm), single-mode fiber minimizes modal dispersion and enables signal transmission over distances of up to 100. Mouser offers inventory, pricing, & datasheets for Singlemode Fiber Optic Cables. Fibre optic cables consist of glass threads, each capable of transmitting digital data modulated into light waves.



Single-mode optical cable B13

Understanding Fiber Optic Cable: Single Mode vs.

What's the difference between single mode and multimode fiber? More importantly, which cable should I use in my installation? These are two of

Single Mode Fiber Optic Cable Manufacturers

PRODUCTSSingleModeFiberOpticCablesforLong-DistanceDataTransmissionProterial
Cable America's optical communication solutions are perfect for high

A Guide to Choosing the Right SM and MM Fiber



Optic

Although single-mode fiber (SM) and multimode fiber (MM) cable types are widely used in various applications, their differences can still be

Fiber Optic Cable Types - Multimode and Single Mode

Single Mode fibers are identified by the designation OS or Optical Single-mode Fiber. Single Mode cable has a much smaller core (8-9um) than multimode cable and uses a single path (mode) to carry the light.

Singlemode Fibre , Comms InfoZone

University and industrial LANs frequently feature single-mode fibre optic systems. Shop Fibre Optics Single Link Cables Don't know how to identify fibre



Understanding Single Mode Fiber Optic Cable: A

Explore our comprehensive guide on single mode fiber optic cable, including insights on duplex fiber patch cables for efficient data transport over

Understanding Single-mode and Multi-mode SFP

A:SFP single-mode optical modules and SFP multi-mode optical modules are incompatible. If you mix SFP single-mode optical modules and SFP multi-mode

Understanding Fibre Optic Cable Types: Single-mode VS



Single-mode and Multimode fibre optic cables are crucial components in various applications, yet distinguishing between the two can be

Fiber Optic Cable Types: Single Mode vs. Multimode Fiber Cable

Compare single-mode vs. multimode fiber cables, their costs, performance, and use cases to help you choose the right option for your fiber optic setup.

Singlemode Fiber Optic Cables - Mouser

Singlemode Fiber Optic Cables are available at Mouser Electronics. Mouser offers inventory, pricing, & datasheets for Singlemode Fiber Optic Cables.



What are the key specifications of single-mode fiber

Explore the essential specifications of single-mode fiber optic cables, including core size, attenuation rates, bandwidth capabilities, and standard

5 Types of Single-Mode Fiber: Understanding Your Options

In the intricate world of fiber optics, the details make all the difference! Understanding the types of single-mode fiber is crucial in enhancing your

Single Mode vs Multimode Fiber Cable: Guide to Fiber

Single Mode vs Multimode Fiber Cable: Compare core size, bandwidth, distance, cost, and best use cases to help you choose the right fiber cable for



SINGLE-MODE OPTICAL FIBER IN LOOSE TUBE AND RIBBON

The single-mode fiber utilized in the optical fiber cable shall meet ITU G.652 (Tables A, B, C & D), IEC Specification 60793-2-50 Type B1.3, TIA/EIA 492-CAAB and Telcordia Generic Requirements GR-20

Standard single-mode fiber introduction and classification

Fiber from the transmission mode can be divided into single-mode fiber and multimode fiber two. The IEC and ITU-T and under zero-dispersion wavelength and the resulting displacement of the



Single-Mode Fiber Cable Guide: Types, Specs & Selection

This comprehensive guide explores Single-Mode Fiber Optic Cable, covering technical specifications, deployment scenarios, and best practices to help you optimize your fiber infrastructure

Fiber Optic Cable Pricing Guide: Factors That Affect

Fiber optic cables are essential components in today's broadband, FTTx, and data center networks. Whether you're planning a national fiber rollout

Single-Mode Optical Fiber (SMF)

Draka Single-Mode Fiber (SMF) provides optimum performance in both the 1310 nm and 1550 nm wavelength operation ranges (including the 1565 - 1625 nm L-band), with a



low dispersion in the

Single-mode optical fiber

In fiber-optic communication, a single-mode optical fiber, also known as fundamental-or mono-mode, is an optical fiber designed to carry only a single mode of light

Fibre Optic Cable

Single-mode optical fibre is suitable for data transmission over long distances (>100km) and it tends to be used for cable TV, internet, and telephone

Fiber Optic Cable Types - Multimode and Single



Mode

Fiber Optic Cable Types - Multimode and Single Mode Application Fiber Optic connectors and cables are present in nearly every communications project that we might sell into, be it a DAS installation or

Fiber Optic Cable Types Explained

Our comprehensive guide to types of fiber optic cables. Learn all about the differences between single mode and multimode cables, as well as the various

OS2 Single Mode Fibre Optic Patch Leads, SMF Duplex

FS offers single mode duplex fibre patch leads & cables for 1G/10G/40G/100G/400G Ethernet fibre connections that can transport data up to 10km at 1310nm and



Fiber Optic Cable Types: Single Mode vs Multimode

The differences between single mode vs multimode fiber lie in the core diameter, wavelength, bandwidth, color sheath, distance, and cost. Read the complete

Standard single-mode fiber introduction and classification

Standard single-mode fiber introduction and classification 1. Overview The core of the fiber optic cable, optical fiber communication technology has greatly promoted the process of

1310B-HP, Select Cutoff SM Optical Fiber



Coherent 1310B-HP and 1310B-HP-V0 high-performance Select Cutoff single-mode fibers are optimized for dual wavelength applications at 1310 and 1550 nm, featuring reduced bend sensitivity and low

Contact Us

For datasheets, pricing, or custom optical networking solutions, please visit:
<https://www.entrenamientointeligente.es>