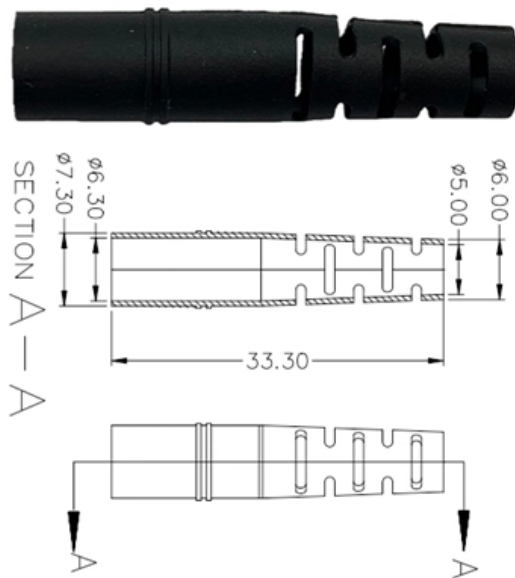


# Standard for fitting junction boxes into holes





## Overview

---

NEC Article 314 establishes requirements for the installation and use of electrical boxes, conduit bodies, fittings, and handhole enclosures. A conduit body is a removable-cover section of a conduit system that provides access at junctions or termination points. These rules define when you must install a box, how large it must be, how you must install it, and how inspectors evaluate compliance. This guide breaks down the actual rules inspectors check — with calculations and.



## Standard for fitting junction boxes into holes

---

# Junction Box Installation: A Step-by-Step Guide for Safe

---

Junction boxes are essential components in electrical systems, serving as safe enclosures for electrical connections.

## Don't Fail Inspection: NEC Rules for Pull & Junction Boxes.

---

Frequently Asked Questions About NEC Rules for Pull & Junction Boxes What is the NEC's main rule regarding accessibility for boxes? According



## **NEC Code of Junction Box Requirements Made Simple**

---

You must connect all ground wires together inside the junction box. The NEC says you can use a pigtail, which means twisting the ground wires and adding a short

## **A Complete Guide to NEC Article 314 on Electrical Boxes and Conduit**

---

NEC Article 314 establishes requirements for the installation and use of electrical boxes, conduit bodies, fittings, and handhole enclosures.

## **How To Install An Electrical Junction Box To A Wall**

---

Installing a CANTEX PVC electrical junction box to a wall is an easy process where you drill holes, attach the junction box and attach the electrical device.



## How to Wire a Junction Box for Socket and Light Circuits

---

Learn how to wire a junction box to provide power to additional sockets, lights and switches easily and safely

## Junction Box Installation & Operation Manual

---

Two large holes for non-conduited installation: The two large holes, which accomodates PG13.5 cable fittings, are for wiring the Junction Box to the other Junction Boxes and to the controller.

## Electrical Junction Box NEC Code: Rules,



## Requirements

---

Learn NEC code requirements for electrical junction boxes, including installation rules, accessibility requirements, wiring guidelines, and common code

## Understanding NEC Article 314

---

The primary goal of Understanding NEC Article 314 is to establish safe installation practices for outlet boxes, pull boxes, and junction boxes. This article applies to both metallic and

## NEC Electrical Junction Box Rules - Complete

---

These rules define when you must install a box, how large it must be, how you must install it, and how inspectors evaluate compliance. This guide



## **Junction Box-What Are the NEC Requirements?**

---

If you are utilizing a junction box for the electrical wiring system of your equipment or home, it is crucial to adhere to the NEC code. But What

## **NEC Article 314: Outlet, Device, Pull, and Junction Boxes; Conduit**

---

This section establishes the scope of Article 314, which includes the installation and use of all boxes and conduit bodies used as outlet, device, junction, or pull boxes, depending on their use.

## **Electrical Junction Box Code Requirements: NEC Rules**

---



Learn what the NEC requires for junction boxes, from box fill calculations and grounding to outdoor use and fire-rated wall installations.

## What Size Screws Do You Need for a Junction Box?

---

A junction box is a protective enclosure that houses and shields electrical connections, splicing wires, and managing circuit transitions. The screws used to secure devices, covers, and the box itself

## How to Install a Junction Box: Step-by-Step Tutorial

---

Mount the junction box to the wall by screwing in screws through the designated holes. Use wire strippers to strip 3/4 inch (19 mm) of casing insulation off the end of every wire going into the junction box. Twist the exposed ends of the same-colored wires together with a pair of pliers. Use a wire nut to



## **12 Types of Electrical Boxes and How to Choose**

---

Learn about the many common types of wall and ceiling electrical boxes for switches, outlets, light fixtures, ceiling fans, and junction boxes.

## **A Full Guide to the NEC Code for Junction Boxes**

---

When you're planning to house electrical wiring in a junction box or waterproof enclosure, you will need to adhere to the National Electrical Code

## **Wiring and Installation Guide for Junction Boxes**

---

When inspecting your home's electrical system, you'll find various components, including cables, outlets, switches, circuit breakers, and an essential box known



## Understanding Electrical Junction Box NEC Code

---

Learn how to ensure your electrical installations meet Electrical Junction Box NEC Code Standards. This guide covers sizing, grounding, material selection, and

## Mounting and installation information for junction boxes

---

DIN VDE 0100 is an erection requirement and specifies which requirements a junction box must fulfil in specific installation areas. To guarantee a safe device installation, all these factors must be checked

## Junction Box Guide to the 17th

---



A further potential problem can be found within the junction box (opposite) concerning the type of conductors that are typically terminated. It is often the case in domestic installations that solid twin &

## **Outlet, Device, Pull, and Junction Boxes; Conduit Bodies; Fittings; And**

---

Explore a searchable database of US construction and building code. Code regulations are consolidated by state and city for easier navigation.

## **How to Install an Electrical Junction Box?**

---

Learn how to install an electrical junction box with this easy guide. Perfect for outdoor or industrial wiring using IP65 ABS enclosures.



## NEC Code of Junction Box Requirements Made Simple

---

NEC code of junction box covers sizing, grounding, materials, and accessibility to keep electrical installations safe and up to code.

## Understanding NEC Article 314

---

Master the technical rules for boxes and fittings with Understanding NEC Article 314: The Protocol. Learn volume calcs and support standards.

### Contact Us

---

For datasheets, pricing, or custom optical networking solutions, please visit:  
<https://www.entrenamientointeligente.es>