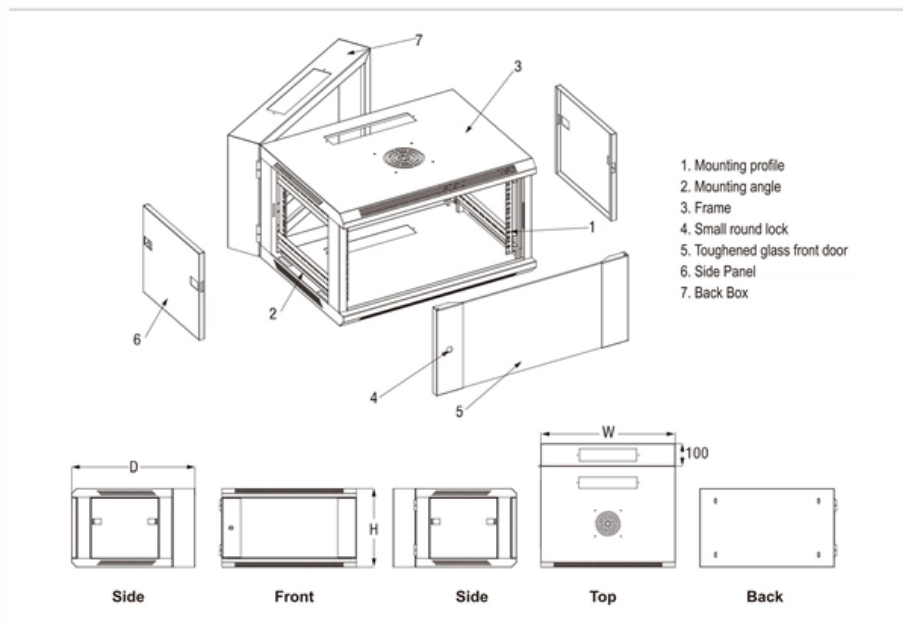


Ukrainian EXFO Spectrometer





Overview

EXFO provides highly accurate, easy-to-use intelligent optical spectral analyzers (OSAs) tailored to both laboratory and manufacturing environments. Measurements include OSNR, channel power, SMSR, central wavelength and more. Corporation EXFO (), founded in 1985, is the world's leading manufacturer of equipment for testing optical fiber and copper communication lines in telecommunications. We recommend the EXFO FTBx-5245/5255 Optical Spectrum Analyser module as a replacement, along with the EXFO. Moldova (X units), Kazakhstan (X units) and Germany (X units) were the main destinations of spectrometers and spectrophotometers exports from Ukraine, together accounting for X% of total exports. From 2012 to 2023, the biggest increases were recorded for Moldova (with a CAGR of X%), while shipments. Galaxy Scientific, an industry pioneer in portable optical Near Infrared spectroscopy, is an agile innovator, enabling organizations to use the power of Near Infrared optical spectroscopy to analyze and authenticate important chemicals and.



Ukrainian EXFO Spectrometer

laboratory spectrometer Manufacturers serving Ukraine ,

We specialize in high performance spectrometers and purpose built spectroscopy systems. We also provide state of the art components and services for the soft

Spectrophotometer In Ukraine , Spectrophotometer Manufacturers

We stand amidst the trusted Spectrophotometer manufacturers in Ukraine, ensuring precision, durability, and performance. Our state-of-the-art manufacturing facilities are equipped with the latest technology



WA-7100 Wavemeter, Exfo

The manufacturer of the WA-7100 Wavemeter is Exfo. The WA-7600 employs proven Michelson interferometer-based scanning technology and is capable of simultaneous measurement of multiple

FTB-400 Universal Test Mainframe, Exfo

The manufacturer of the FTB-400 Universal Test Mainframe is Exfo. The FTB-400 Universal Test System combines physical, optical, transport and datacom testing in a single box.

RF testing

This is driving the performance requirements of a new generation of RF spectrum



analyzers to easily and accurately validate 5G RAN and the new, complex technologies that go along with it. EXFO has

FTB-5500B/FTB-5800 , Spec sheet , EXFO

Designed for ultra-longhaul and 40/100 Gbit/s (and higher) applications, EXFO's FTB-5500B PMD and FTB-5800 CD analyzer combo provides you with the speed, accuracy and high performance you

optical emission spectrometers Companies serving Ukraine

Hitachi High-Tech - Model PMI-Master Smart - Mobile Optical Emission Spectrometers
Seamless quality control is essential for any metalworking, especially for safety critical positive material identification



Mass-Spectrometers Companies And Suppliers In Ukraine ,

Company LLC 'EKNIS-UKRAINE' has been working in the energy market of Ukraine since 2005. The core business is system integration in the industrial, power and utility markets; delivering electrical

FTB-150 Compact OTDR, Exfo

The Exfo FTB-150 is a fast, powerful, lightweight solution from the industrys OTDR expert. It can house any of EXFO's singlemode and multimode OTDR configurations designed to test at up to four

Ukraine's Spectrometers and Spectrophotometers Market Report 2025



The Ukrainian spectrometers and spectrophotometers market shrank slightly to \$12M in 2023, dropping by -1.9% against the previous year. Overall, consumption, however, saw a relatively flat trend

mass spectrometers Companies and Suppliers in Ukraine ,

Company LLC 'EKNIS-UKRAINE' has been working in the energy market of Ukraine since 2005. The core business is system integration in the industrial, power and utility markets; delivering electrical

Network test, monitoring and analytics experts , EXFO

We're the communications industry's test, monitoring and analytics experts. Pioneering essential solutions and technologies for over 35 years



Portable Spectrophotometer in Ukraine

Engineered for professionals who demand accuracy on the move, this portable spectrophotometer is now accessible throughout Ukraine. From lab analysis to field inspections, it delivers reliable color

Fiber optic test and measurement , Solutions , EXFO

Fiber optic test and measurement High-performance, agile and automated optical and network protocol testing solutions

Ukraine Spectrophotometer Market (2024-2030) , Trends, Outlook



Historical Data and Forecast of Ukraine Spectrophotometer Market Revenues & Volume
By Environmental Applications for the Period 2020-2030 Ukraine Spectrophotometer
Import Export

Elementanalyse

Erfahren Sie mehr über SPECTRO Analytical, einem weltweit führenden Anbieter von ICP, OES & RFA Analysegeräten für die Elementanalyse.

EXFO products - more than 200 models

EXFO products cover the full range of measurements required for the installation and maintenance of fiber optic and copper communication lines. The main production



emission spectrometers Companies and Suppliers in Ukraine ,

RotrOil - Model R3 - Rotrode Emission Spectrometer R3 RotrOil spectrometer instrument is a compact, transportable and easy to use optical emissionspectrometer designed specifically to determine trace

spectrometers Companies and Suppliers in Ukraine ,

R3 RotrOil spectrometer instrument is a compact, transportable and easy to use optical emission spectrometer designed specifically to determine trace concentration in wear metals, polluting

EXFO OSA20 Optical Spectrum Analyser

The OSA20's monochromator is built around EXFO's renowned filter technology. Its



narrow bandwidth (20 pm) is maintained throughout the spectral range of operation (1250 - 1700 nm).

Ukraine: Spectrometers Market Report

The Ukrainian Spectrometers Market Report Description This report presents a comprehensive overview of the Ukrainian spectrometers market, the effect of recent high-impact world events on it, and a

Spectrometer Active Exporters and Manufacturers Directory of UKRAINE

Find Spectrometer active suppliers and exporters in UKRAINE with Company profile and contact details: phone & email



Field network testing

Field network testing EXFO's field network testing solutions deliver unique value by automating, streamlining and sequencing your field tests and workflows--from network deployment and service

laboratory spectrometer Manufacturers serving Ukraine ,

List of laboratory spectrometer Manufacturers serving Ukraine GNR was established in 1984 in Milan (Italy) founded by Mario Gungui and Antonio Nigro. They took over OPTICA srl, one of the first and

Ukraine's Spectrometers and Spectrophotometers Market Report 2025



The Ukrainian spectrometers and spectrophotometers market shrank slightly to \$12M in 2023, dropping by -1.9% against the previous year. Overall, consumption, however, saw a relatively flat trend pattern.

Contact Us

For datasheets, pricing, or custom optical networking solutions, please visit:
<https://www.entrenamientointeligente.es>