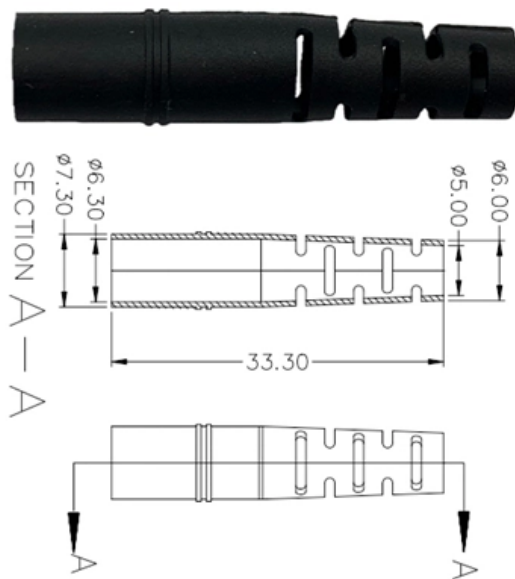


What to do if you can't bind a telecommunications fiber optic cable





Overview

- Solutions: Clean connectors and end faces using specialised cleaning tools and solutions, inspect cables for bends or breaks and replace damaged sections, ensure compatibility and proper alignment of fibre optic components. When issues like signal loss, slow speeds, or intermittent connectivity arise, systematic troubleshooting is key. This guide will walk you through diagnosing and resolving common fiber network issues efficiently. These high-speed, high-capacity communication networks are increasingly replacing copper cables, offering superior performance and. Whether you're a network engineer, IT manager, or service provider, understanding these challenges and how to address them is critical for maintaining high-performance, reliable. Most common fiber optic cable problems are fixable—often with a bit of know-how and the right approach. Let's dive into the most frequent headaches, how to spot them, and, most importantly, how to get your network back on track.



What to do if you can't bind a telecommunications fiber optic cable

How can one identify a broken fiber optic cable?

To identify a broken fiber optic cable, start by performing a visual inspection for any physical signs of damage, such as bends, cracks, or breaks.

What methods are used to test fiber optic cables without a tester?

There are several methods to test fiber optic cables without a tester. One method is using a visual fault locator (VFL), as mentioned earlier, to v.

What are the causes of intermittent fiber optic connections?

Intermittent fiber optic connections can be caused by a variety of factors, including: Poorly terminated connectors or splices that result in unsta.

How does end face contamination impact fiber optic performance?

End face contamination negatively impacts fiber optic performance by increasing signal loss, reflection, and scattering. Contaminants such as dirt,.

What factors contribute to fiber optic degradation?

Fiber optic degradation can be caused by several factors, such as: Physical stress on the cable, including bending, twisting, or crushing, which ma.

How can I resolve issues when my fiber internet is not functioning?



When your fiber internet is not functioning, follow these steps to resolve the issue: Verify that all connections are secure and properly seated, i.

How to Repair Fiber Optic Cable: A Comprehensive Guide

This blog shares the common causes of fiber optic issues and provides detailed solutions on how to repair fiber optic cable.

Master Your Fibre Optic Installation: Step-by-Step Best Practices

This comprehensive guide delves into the intricacies of fiber optic installation, exploring topics ranging from cable types and pre-installation considerations to execution, safety protocols,



How to Run Fiber Optic Cable in Your House

Complete guide to safely running internal fiber optic cable. Learn the methods for a high-performance, future-proof home network.

Fiber Optic Internet Installation Guide: Steps for Installing Fiber

Learn how fiber optic internet installation works, from network planning to internal ONT setup. Discover step-by-step guidance for installing fiber optic cable and choosing reliable fiber optic

How to Fix a Cut Fiber Optic Cable

While a cut or damaged fiber optic cable can temporarily take your network down, it is



possible to quickly fix the cable with the right tools. This wikiHow article will teach you how to splice a

The Ultimate Fiber Troubleshooting Bible for Beginners

When your fiber optic network experiences issues, you need a fast and reliable process. This flowchart helps you identify and resolve most problems

Top 10 Fiber Optic Mistakes to Avoid , trueCABLE

Avoid costly fiber optic installation errors. Learn the top 10 things NOT to do with fiber optic cables and how to handle them safely.



Fiber Optic Troubleshooting: Essential Tips for Fast

Master fiber optic troubleshooting with our expert guide. Learn to fix, and prevent network issues effectively for peak performance.

Single Mode vs. Multimode Fiber Optic Cables

There are two main types of fiber optic cables: single mode and multimode. Although they can do the same job in some instances, the different

How To Fix A Fiber Optic Cable

When a fiber optic cable is damaged, it can result in signal loss, reduced bandwidth, or complete network failure. Prompt and proper repair is



How to Properly Install Fiber Optic Cable: A Step-by

After installation, thoroughly test the fiber optic connection to ensure that it is operational. This will assist you in identifying any issues early on and

Fiber Network Troubleshooting Guide: Common Issues

"To troubleshoot fiber network issues, start by inspecting physical connections, testing signal strength, and verifying device functionality. Use OTDR

Common Fiber Optic Cable Issues and How to Fix Them



Most common fiber optic cable problems are fixable--often with a bit of know-how and the right approach. Let's dive into the most frequent headaches, how to spot

Fiber Optic Issues: Troubleshooting & Prevention Tips

Solve common fiber optic network problems--attenuation, damage, connector issues. Learn troubleshooting steps, tools, and prevention to ensure reliable

Fiber Optic Cable Bend Radius or Diameter

Fiber Optic Cable Bend Radius or Diameter All fiber optic cables have specifications that must not be exceeded during installation to prevent irreparable damage to



Ring and Ping: Quick Tips for Fiber Optic Troubleshooting

So, you bit the bullet and converted your network to fiber optic for the top speeds and now it's not working. How frustrating! Let's look at some of the

Fiber Network Troubleshooting - Common Issues & Fixes

Learn how to troubleshoot fiber networks. Identify common issues like high loss, dirty connectors, and signal drops, with practical solutions for optical links.

Fiber Optic Cable Installation: How To Properly Install It

A comprehensive guide to fiber optic installation - everything you need to know about fiber optic cabling for your network



Fibre Optic Cable Troubleshooting Guide: Common

By understanding the symptoms, causes, and solutions for common fibre optic cable issues, network administrators and technicians can effectively

Fiber Network Troubleshooting - Common Issues & Fixes

Fiber optic networks are celebrated for their speed and reliability, but even the best systems can encounter problems. When issues like signal loss,

Common Fiber Optic Cable Issues and How to Fix



Them

Ever wondered why your blazing-fast fiber optic internet suddenly slows to a crawl, or why your network connection drops out just when you need it most? You're not

Direct-Buried Installation of Fiber Optic Cable

Cable Precautions / Specifications CAUTION: Take care to avoid cable damage during handling and installation. Fiber optic cable is sensitive to excessive pulling, bending, and crushing forces. Any

Fiber Optic Troubleshooting: Expert Guide for Common

Troubleshoot fiber optic issues like a pro with our expert guide. Resolve common problems and ensure seamless connectivity.



Underground Fiber Optic Cable Installation:

Explore the process and benefits of underground fiber optic cable installation. Learn how this infrastructure investment can elevate your internet

The FOA Reference For Fiber Optics

All fiber optic applications are not the same. At the FOA, we're mainly concerned with communications fiber optics - telco, CATV, LAN, industrial, etc., but fiber optics

Contact Us

For datasheets, pricing, or custom optical networking solutions, please visit:
<https://www.entrenamientointeligente.es>